

Surface Raceway / Aluminum SWA7203-1

SnapWay™ Accessories

Manufactured by MonoSystems, Inc.

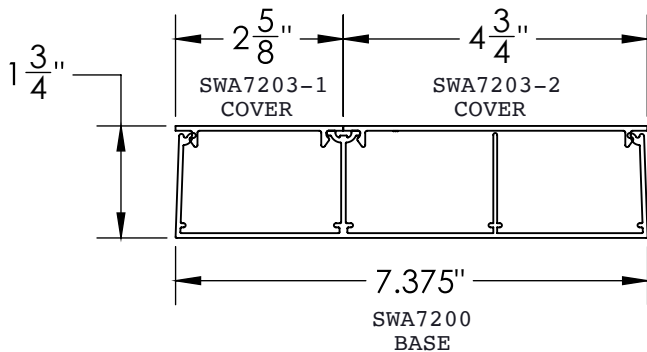
COVER PLATE OPTIONS

Notes

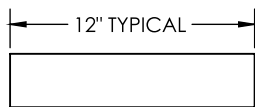
- 1.) Assembly Instructions: Firmly press cover into place ensuring that both sides are completely snapped into base section.
- 2.) Views for reference - do not scale.

Material

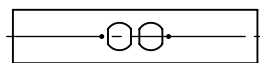
#6063-T6 Extruded Aluminum, Satin Anodized Finish.



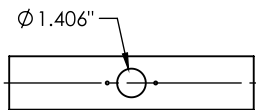
SWA7200 SERIES
3 COMPARTMENT
ALUMINUM RACEWAY
SECTION VIEW
SATIN ANODIZE FINISH
(EACH ORDERED SEPARATELY)



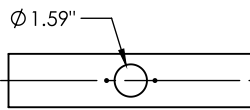
SWA7203-1
BLANK COVER



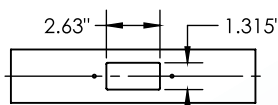
SWA7246-1
DUPLEX COVER



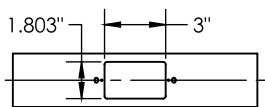
SWA7225-1
SINGLE ROUND



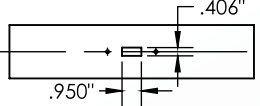
SWA7226-1
SINGLE ROUND



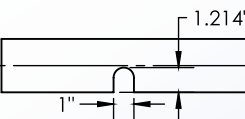
SWA7223-1
DECOR/GFCI



SWA7257-1
UNIVERSAL COVER

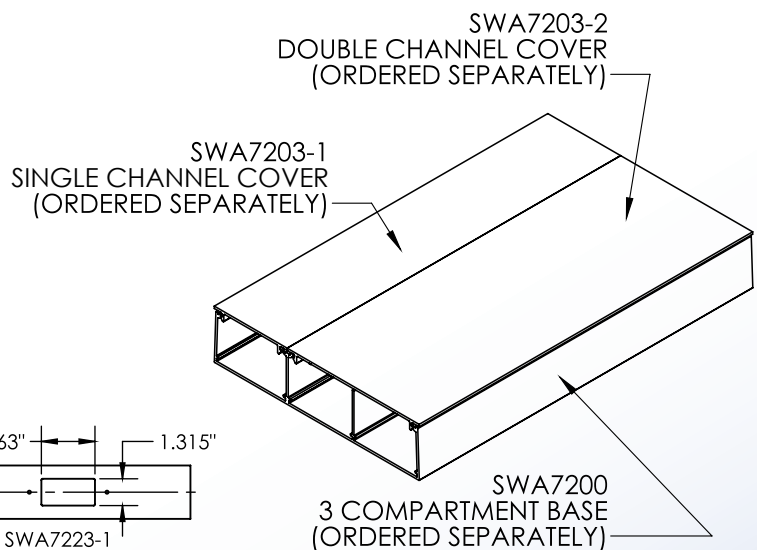


SWA7248-1
SWITCH COVER



SWA7253-1
MOUSE HOLE

FOR CLASS 2 CIRCUITS ONLY
PROVIDED WITH RUBBER GROMMET



4 International Drive
Rye Brook, NY 10573
Toll Free: 1 888.764.7681
Phone: 914.934.2075
Fax: 914.934.2190
MonoSystems.com

