

Surface Raceway / Aluminum SWA7200

SnapWay™

Manufactured by MonoSystems, Inc.

ALUMINUM RACEWAY FILLRATE

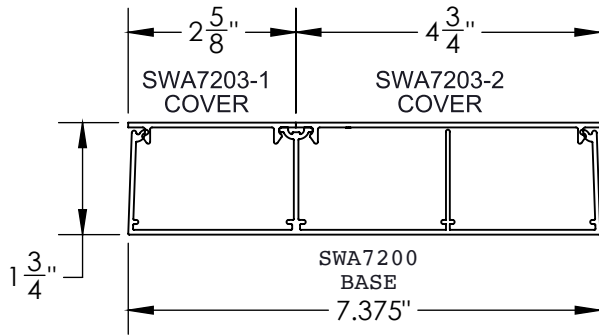
Notes

1.) Assembly Instructions: Rigidly secure base section to structural building member or wall construction at 18" maximum mounting centers. Engineer to verify fasteners and mounting interval based on mounting surface construction (hardware by others).

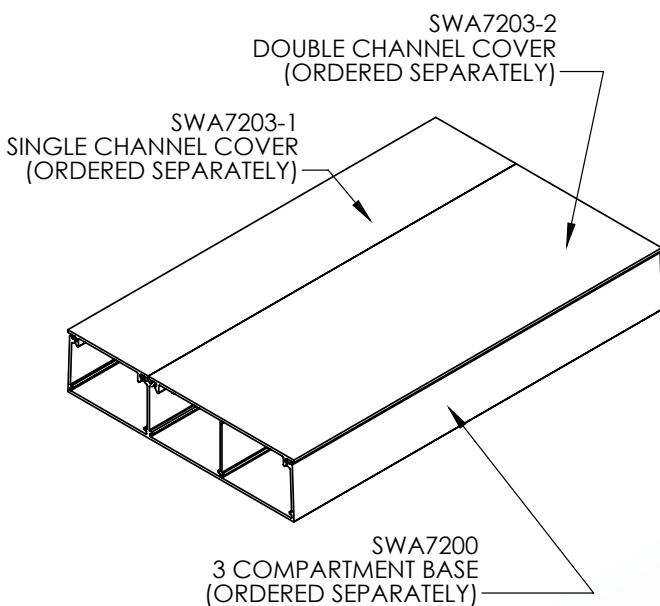
2.) Views for reference - do not scale.

Material

#6063-T6 Extruded Aluminum, Satin Anodized Finish.



SWA7200 SERIES
3 COMPARTMENT
ALUMINUM RACEWAY
SECTION VIEW
SATIN ANODIZE FINISH
(EACH ORDERED SEPARATELY)



SWA7200 SERIES ALUMINUM RACEWAY FILL CAPACITY FOR DATA / COMMUNICATIONS				
CABLE TYPE	CABLE/WIRE SIZE	APPROX. O.D. Ø INCHES [mm]	SINGLE CHANNEL 4.31 in ² [2797 mm ²]	DOUBLE DIVIDED CHANNEL
			40% FILL	40% FILL
UNSHIELDED TWISTED PAIR (CUTP)	4-PAIR, 24 AWG, CAT 3	0.190 [4.8]	43	81
	4-PAIR, 24 AWG, CAT 5e	0.210 [5.3]	35	66
	4-PAIR, 24 AWG, CAT 6	0.250 [6.3]	25	47
TELEPHONE	4-PAIR, 24 AWG, CAT 6a	0.354 [9.0]	12	23
	25-PAIR, 24 AWG	0.360 [9.1]	12	23
COAXIAL CABLES	RG6/U 18 GAUGE	0.270 [6.9]	21	40
	ROUND 4 STRAND FIBERO	.187 [4.7]	44	84
	ROUND 6 STRAND FIBERO	.256 [6.5]	24	45

WIRE SIZE (STRANDED) THHN/THWN	SWA7200 SERIES ALUMINUM RACEWAY FILL CAPACITY FOR POWER 40% FILL FACTOR			
	POWER WIRING WITH 2.04 Sq. In. GFCI DEVICES		WITHOUT DEVICES	
	SINGLE CHANNEL	DOUBLE CHANNEL	SINGLE CHANNEL	DOUBLE CHANNEL
6 AWG	14	40	31	56
8 AWG	20	55	42	78
10 AWG	35	96	74	135
12 AWG	56	153	117	214
14 AWG	77	210	161	294

4 International Drive
Rye Brook, NY 10573
Toll Free: 1 888.764.7681
Phone: 914.934.2075
Fax: 914.934.2190
MonoSystems.com

