

Surface Raceway / Aluminum SWA52GC

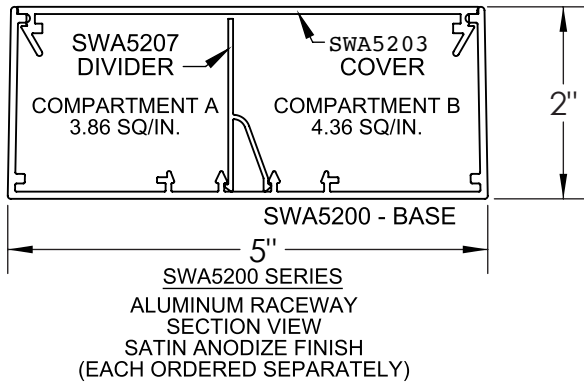
SnapWay™ Accessories

Manufactured by MonoSystems, Inc.

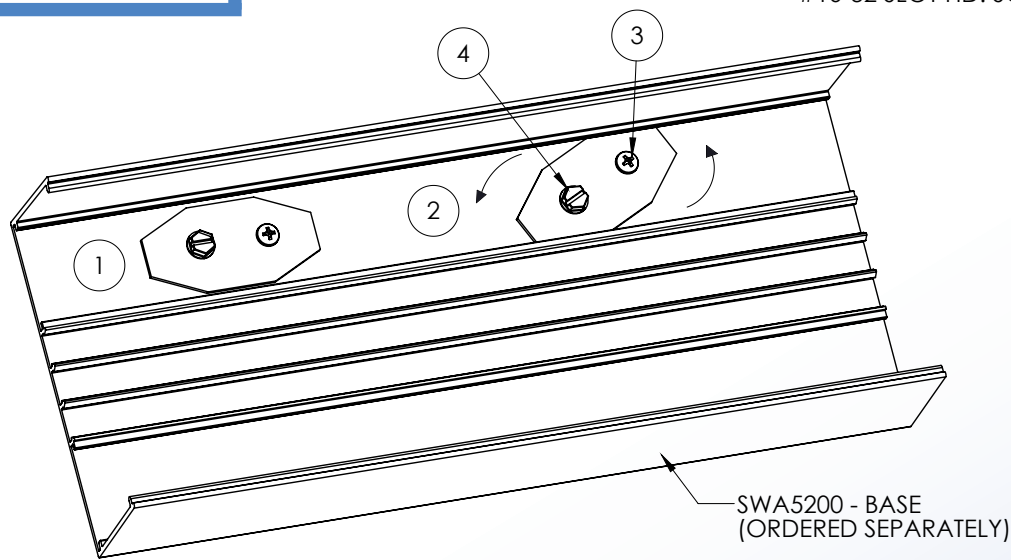
GROUNDING CLIP

Notes

- 1.) Use to attach incoming ground to raceway base assemblies and/or individual receptacles per local codes.
- 2.) Assembly instructions:
 1. Insert grounding clip into base or fitting sections at angle as shown.
 2. Rotate grounding clip underneath base flanges as shown.
 3. Secure grounding clip to base by tightening #8-32 screw.
 4. Attach ground leads as required per local codes to #10-32 (green) ground screw.
- 3.) Views for reference - do not scale.

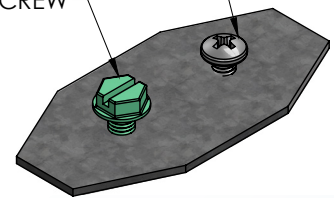


UL LISTED
FILE: E167318



#8-32 PAN HD. SCREW

#10-32 SLOT HD. SCREW



4 International Drive
Rye Brook, NY 10573
Toll Free: 1 888.764.7681
Phone: 914.934.2075
Fax: 914.934.2190
MonoSystems.com

