

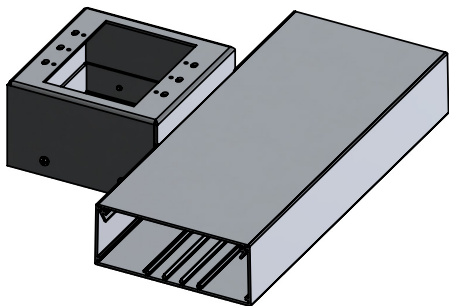
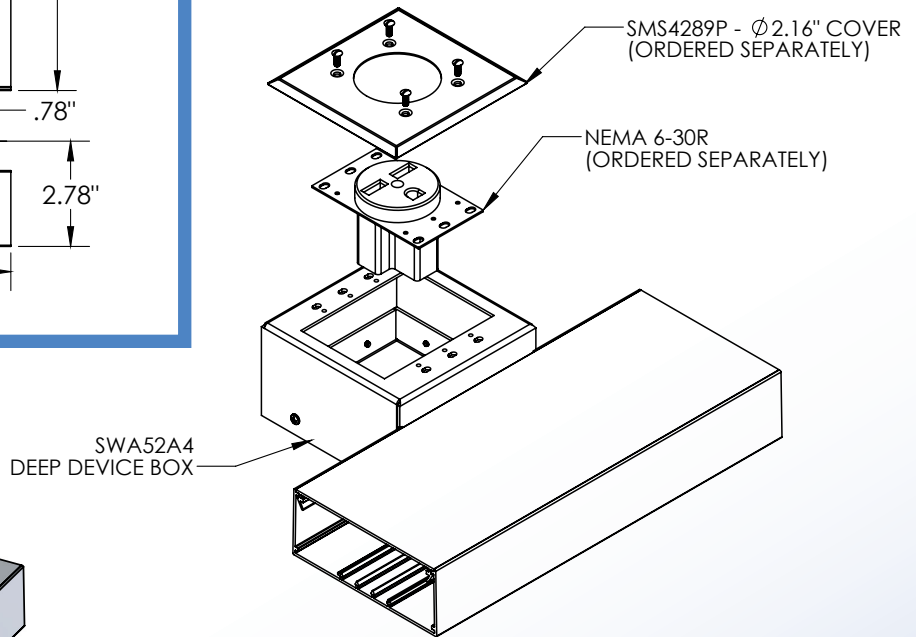
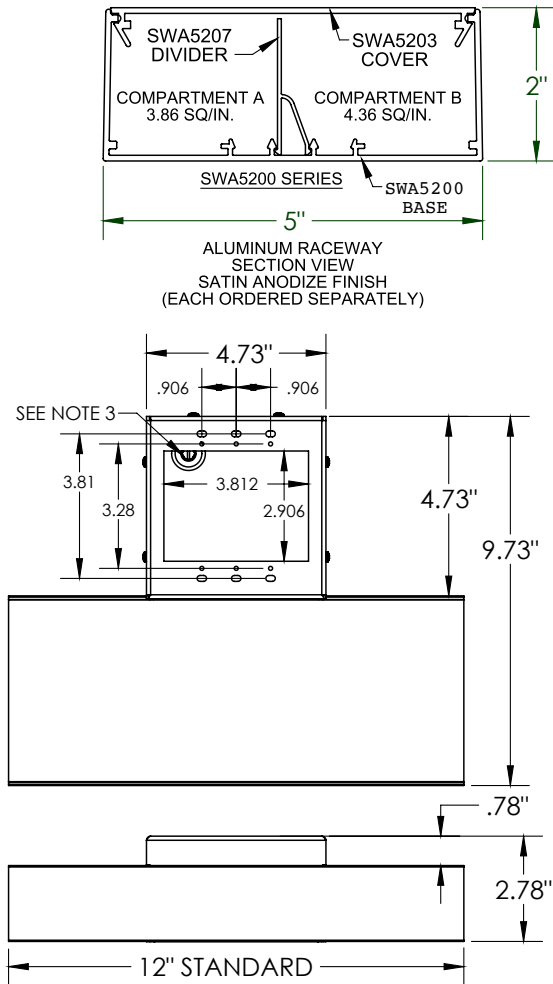
# Surface Raceway / Aluminum SWA52A4

SnapWay™ Fittings  
Manufactured by MonoSystems, Inc.

## DEEP DEVICE BOX

### Notes:

- 1.) Use for mounting a large device such as a 6-30R to SWA5200 series raceway. Can be mounted such that the device box is above or below raceway.
- 2.) Remove cover and connect SWA52A4 to SWA5200 base sections using SWA5202 couplings (couplings ordered separately), 2 pair required.
- 3.) Secure fitting to base sections by tightening #8-32x3/16" screws. Attach grounding wire to #10-32 ground screw in box.
- 4.) Firmly press cover into place ensuring that both sides are completely snapped into base section.
- 6.) Views for reference - do not scale.



4 International Drive  
Rye Brook, NY 10573  
Toll Free: 1 888.764.7681  
Phone: 914.934.2075  
Fax: 914.934.2190  
MonoSystems.com

