

Surface Raceway / Aluminum SWA5257

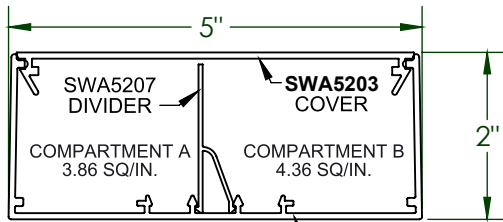
SnapWay™ Accessories

Manufactured by MonoSystems, Inc.

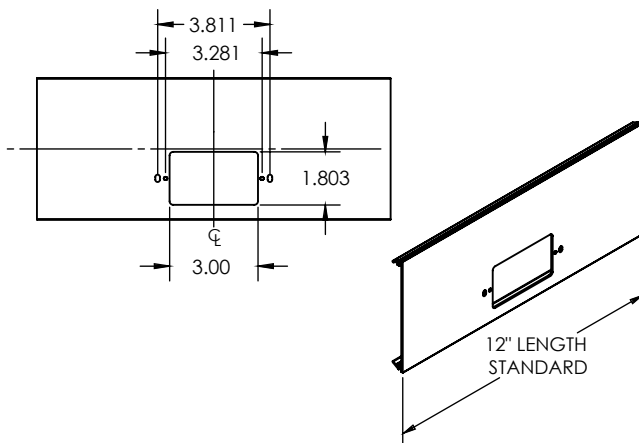
UNIVERSAL COVER PLATE

Assembly Instructions

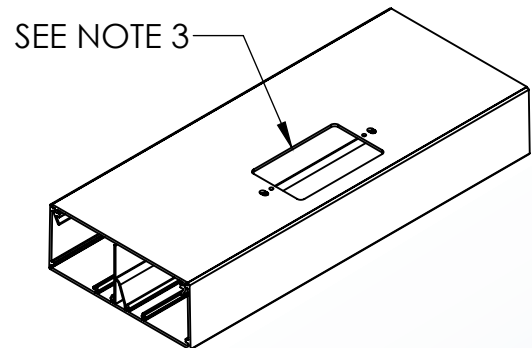
- 1.) Assembly instructions: firmly press cover into place ensuring that both sides are completely snapped into base section.
- 2.) Material: #6063-T6 extruded aluminum, satin anodized finish.
- 3.) Mount device (by others) on top of plate using supplied #6-32 Flat head screws and #8-32 kep nuts.
- 4.) Terminate all wiring per NEC and local codes.
- 5.) Finish with 1-gang device cover plate (ordered separately) over device.
- 6.) Views for reference - Do not scale.



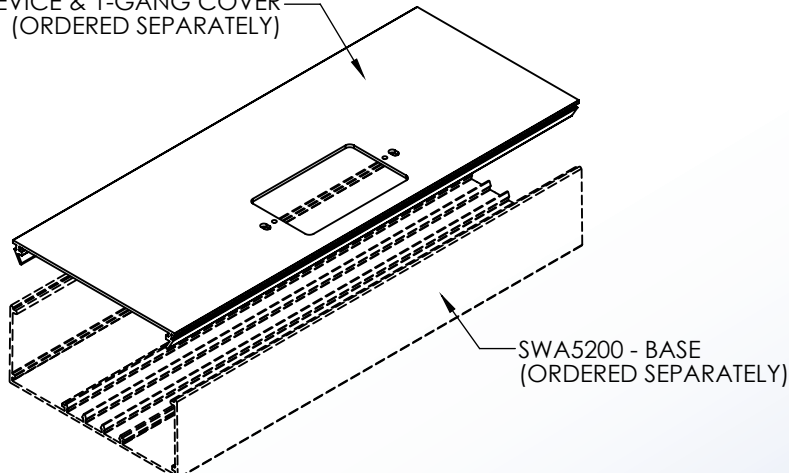
SWA5200 SERIES
ALUMINUM RACEWAY
SECTION VIEW
SATIN ANODIZE FINISH
(EACH ORDERED SEPARATELY)



UL LISTED
FILE: E167318



SWA5257 - UNIVERSAL COVER
DEVICE & 1-GANG COVER
(ORDERED SEPARATELY)



4 International Drive
Rye Brook, NY 10573
Toll Free: 1 888.764.7681
Phone: 914.934.2075
Fax: 914.934.2190
MonoSystems.com

