

Surface Raceway / Aluminum SWA5246DD

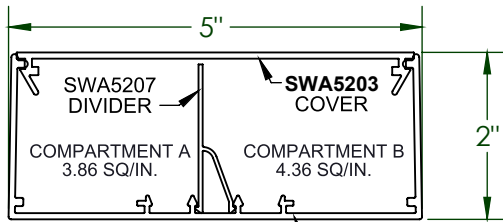
SnapWay™ Accessories

Manufactured by MonoSystems, Inc.

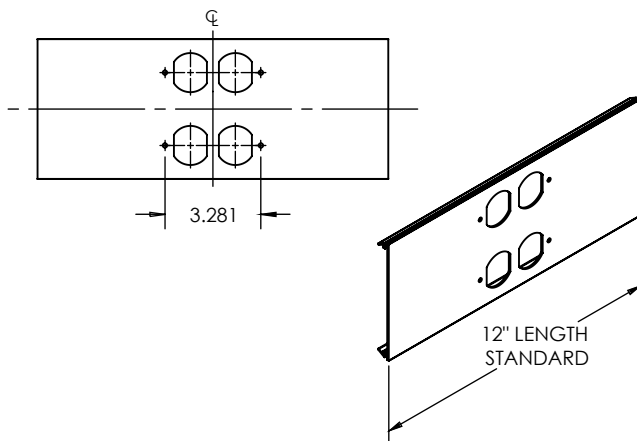
DUPLEX / DUPLEX COVER PLATE

Assembly Instructions

- 1.) Assembly instructions: firmly press cover into place ensuring that both sides are completely snapped into base section.
- 2.) To remove cover: gently pry upward on base and cover seam with a non-abrasive tool such as a plastic putty knife.
- 3.) Material: #6063-T6 extruded aluminum, satin anodized finish.
- 4.) Receptacle devices (ordered separately) wire per NEC and local codes.
- 5.) 12" [1ft] length standard. Custom lengths available. Speak with MonoSystems to choose.
- 6.) Views for reference - Do not scale.

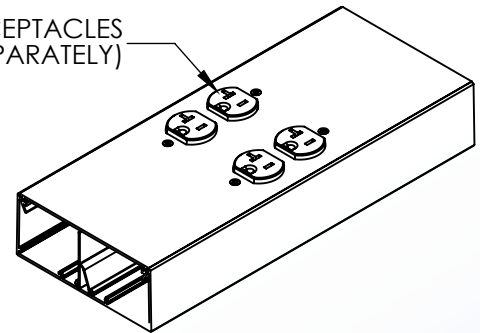


SWA5200 SERIES
ALUMINUM RACEWAY
SECTION VIEW
SATIN ANODIZE FINISH
(EACH ORDERED SEPARATELY)

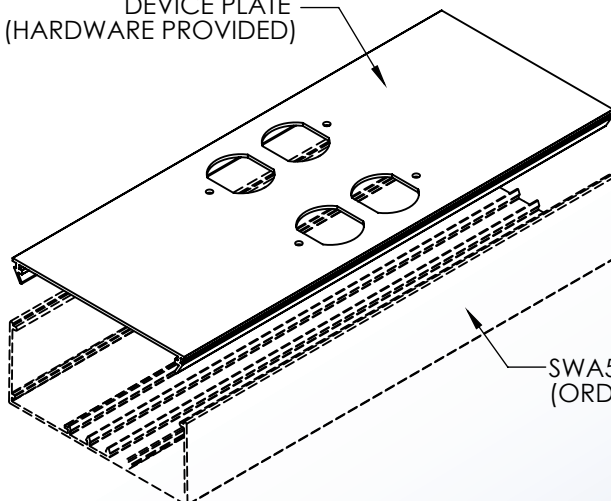


UL LISTED
FILE: E167318

DUPLEX RECEPTACLES
(ORDERED SEPARATELY)



SWA5246DD - DUPLEX/DUPLEX
DEVICE PLATE
(HARDWARE PROVIDED)



SWA5200 - BASE
(ORDERED SEPARATELY)

4 International Drive
Rye Brook, NY 10573
Toll Free: 1 888.764.7681
Phone: 914.934.2075
Fax: 914.934.2190
MonoSystems.com

