

# Surface Raceway / Aluminum SWA5246

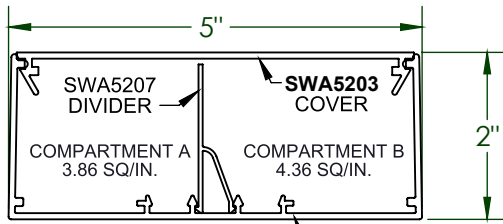
## SnapWay™ Accessories

Manufactured by MonoSystems, Inc.

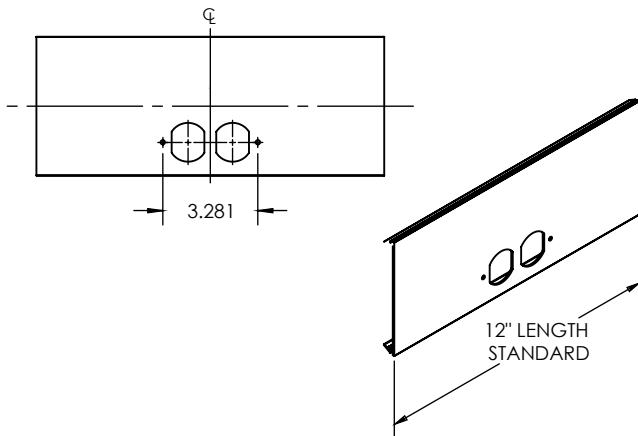
### DUPLEX COVER PLATE

#### Assembly Instructions

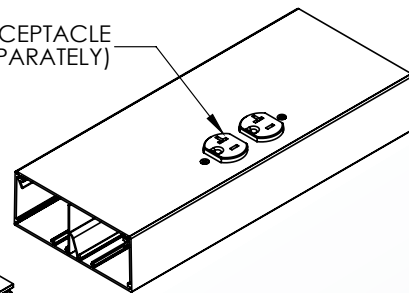
- 1.) Assembly instructions: firmly press cover into place ensuring that both sides are completely snapped into base section.
- 2.) To remove cover: gently pry upward on base and cover seam with a non-abrasive tool such as a plastic putty knife.
- 3.) Material: #6063-T6 extruded aluminum, satin anodized finish.
- 4.) Receptacle device (ordered separately) wire per NEC and local codes.
- 5.) 12" [1ft] length standard. Custom lengths available. Speak with MonoSystems to choose.
- 6.) Views for reference - Do not scale.



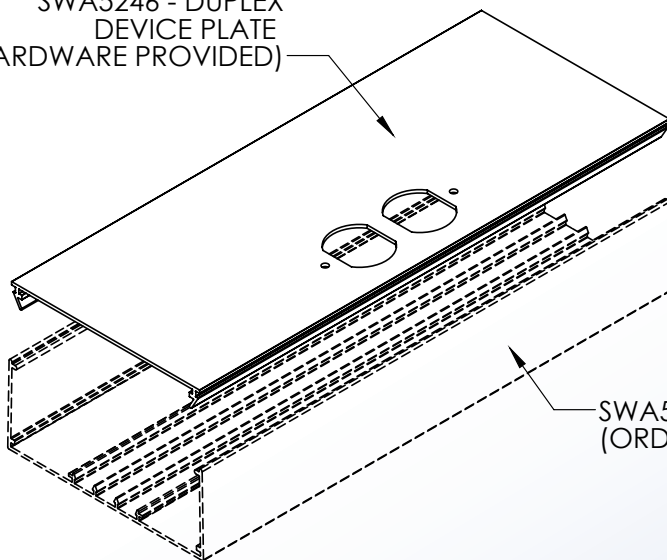
SWA5200 SERIES  
ALUMINUM RACEWAY  
SECTION VIEW  
SATIN ANODIZE FINISH  
(EACH ORDERED SEPARATELY)



DUPLEX RECEPTACLE  
(ORDERED SEPARATELY)



SWA5246 - DUPLEX  
DEVICE PLATE  
(HARDWARE PROVIDED)



SWA5200 - BASE  
(ORDERED SEPARATELY)

4 International Drive  
Rye Brook, NY 10573  
Toll Free: 1 888.764.7681  
Phone: 914.934.2075  
Fax: 914.934.2190  
MonoSystems.com

