

Surface Raceway / Aluminum SWA5245DD

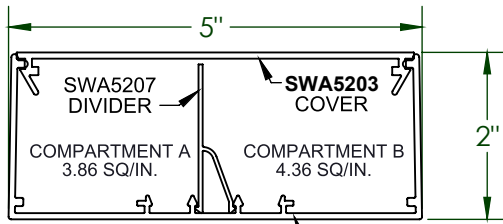
SnapWay™ Accessories

Manufactured by MonoSystems, Inc.

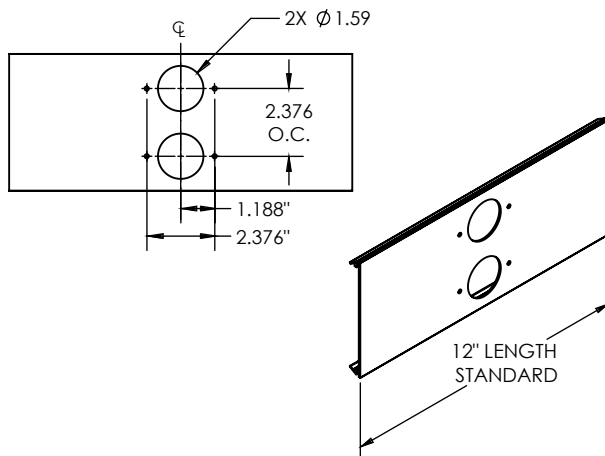
(2X) SINGLE ROUND Ø 1.59 / Ø 1.59 COVER PLATE

Assembly Instructions

- 1.) Assembly instructions: firmly press cover into place ensuring that both sides are completely snapped into base section.
- 2.) To remove cover: gently pry upward on base and cover seam with a non-abrasive tool such as a plastic putty knife.
- 3.) Material: #6063-T6 extruded aluminum, satin anodized finish.
- 4.) Receptacle devices (ordered separately) wire per NEC and local codes.
- 5.) 12" [1ft] length standard. Custom lengths available. Speak with MonoSystems to choose.
- 6.) Views for reference - Do not scale.

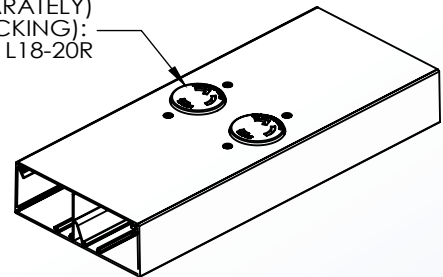


SWA5200 SERIES
ALUMINUM RACEWAY
SECTION VIEW
SATIN ANODIZE FINISH
(EACH ORDERED SEPARATELY)

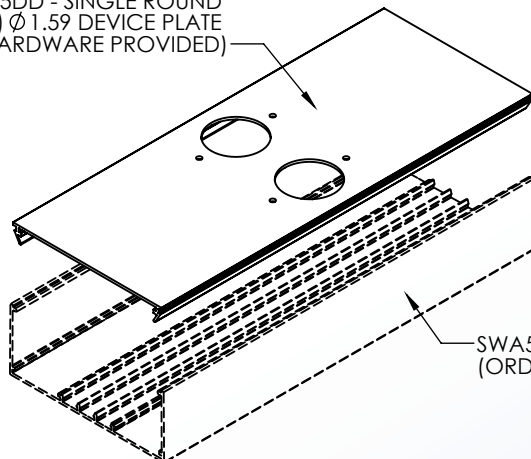


UL LISTED
FILE: E167318

Ø 1.56 DEVICES (ORDERED SEPARATELY)
EXAMPLE (LOCKING):
L5-20R, L5-30R, L6-20R, L6-30R, L15-30R, L18-20R



SWA5245DD - SINGLE ROUND
(2X) Ø 1.59 DEVICE PLATE
(HARDWARE PROVIDED)



SWA5200 - BASE
(ORDERED SEPARATELY)

4 International Drive
Rye Brook, NY 10573
Toll Free: 1 888.764.7681
Phone: 914.934.2075
Fax: 914.934.2190
MonoSystems.com

