

Surface Raceway / Aluminum SWA5230

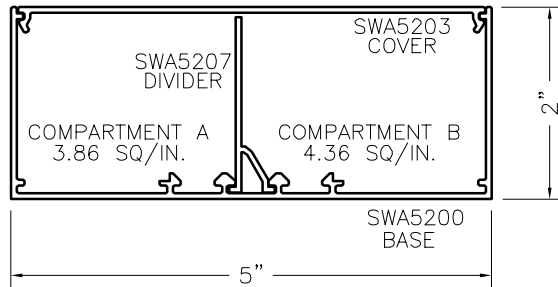
SnapWay™ Fittings

Manufactured by MonoSystems, Inc.

WALL BOX FEED

Notes

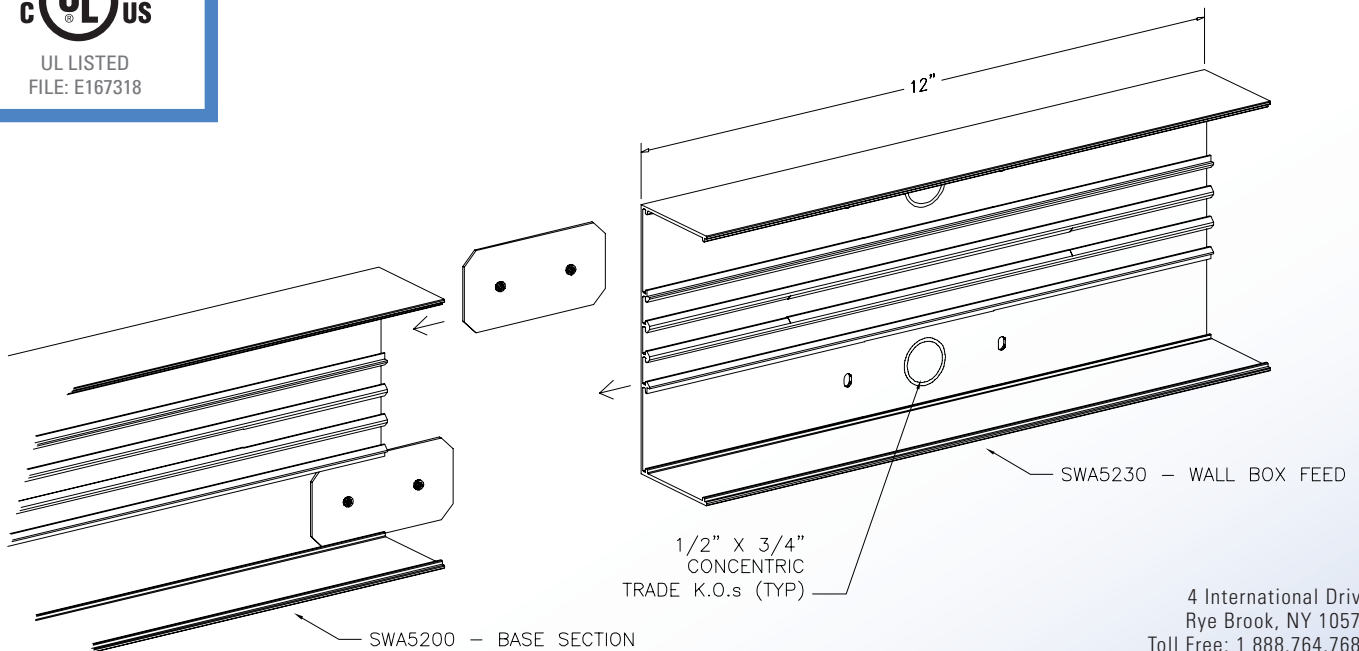
- 1.) Using hardware provided by others attach wall box feed to existing wall box or conduit.
- 2.) Attach elbow to Raceway using provided couplings as shown.
- 3.) Terminate wiring per NEC and local codes. Enclose elbow with cover ordered separately.
- 4.) When using optional divider ensure to install throughout fittings.



SWA5200 SERIES
ALUMINUM RACEWAY
SECTION VIEW
SATIN ANODIZED FINISH
(EACH ORDERED SEPARATELY)



UL LISTED
FILE: E167318



4 International Drive
Rye Brook, NY 10573
Toll Free: 1 888.764.7681
Phone: 914.934.2075
Fax: 914.934.2190
MonoSystems.com

