

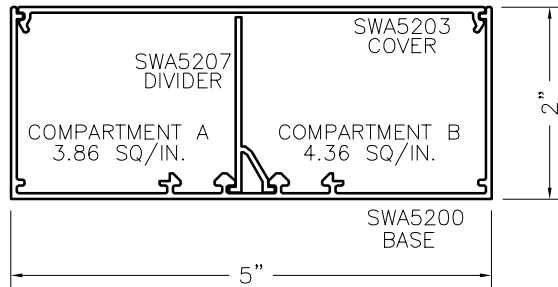
# Surface Raceway / Aluminum SWA5216

SnapWay™ Fittings  
Manufactured by MonoSystems, Inc.

## CROSS

### Notes

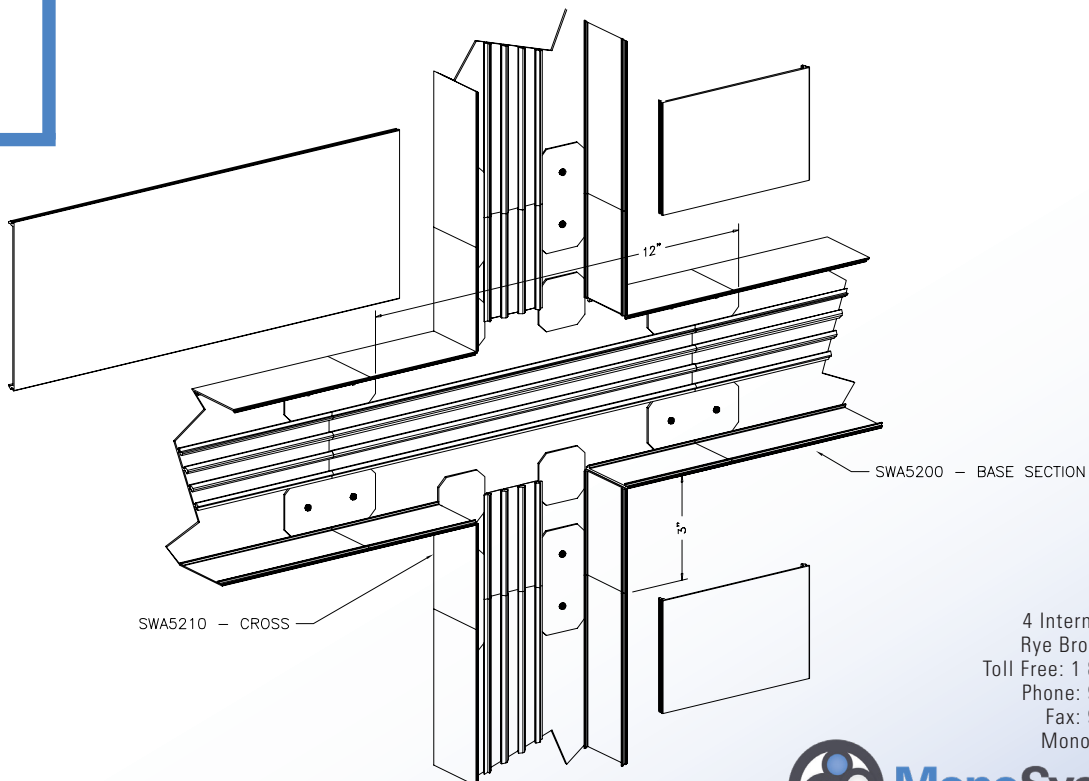
- 1.) Attach cross to Raceway using provided couplings as shown.
- 2.) Enclose cross with cover provided.
- 3.) When using optional divider ensure to install throughout fitting. Modification and other materials by others may be required.



SWA5200 SERIES  
ALUMINUM RACEWAY  
SECTION VIEW  
SATIN ANODIZED FINISH  
(EACH ORDERED SEPARATELY)



UL LISTED  
FILE: E167318



4 International Drive  
Rye Brook, NY 10573  
Toll Free: 1 888.764.7681  
Phone: 914.934.2075  
Fax: 914.934.2190  
MonoSystems.com

