

# Surface Raceway / Aluminum SWA5207

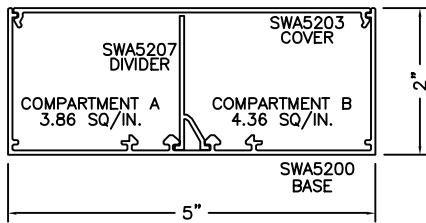
## SnapWay™ Accessories

Manufactured by MonoSystems, Inc.

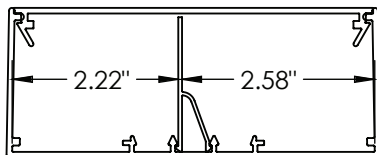
### DIVIDER STRIP

#### Assembly Instructions

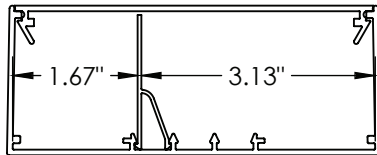
- 1.) Supplied in 5ft lengths standard.
- 2.) Snap divider into ribs of swa5200 series base sections or fittings to be divided. Make sure orientation of divider strip is uniform.
- 3.) Be sure to install divider strip throughout angled fittings and slide into corners as needed.
- 4.) Where gaps of 0.080" [2mm] or greater between divided compartments exist, swa5200wc wire clips (ordered separately) must be used.
- 5.) Views for reference - Do not scale.



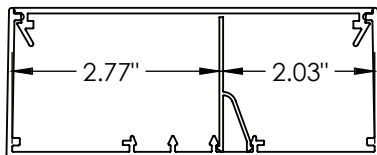
SWA5200 SERIES  
ALUMINUM RACEWAY  
SECTION VIEW  
SATIN ANODIZED FINISH  
(EACH ORDERED SEPARATELY)



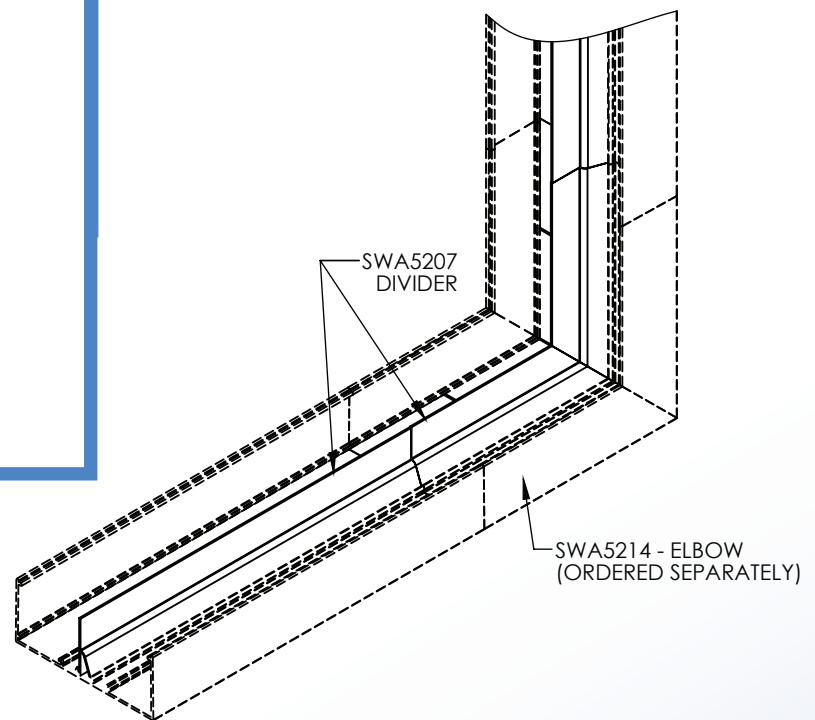
WITH DIVIDER CENTERED



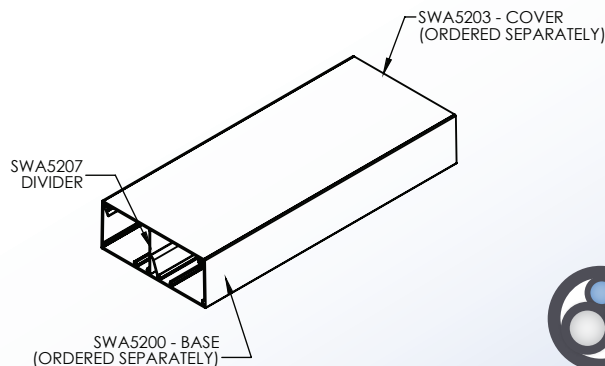
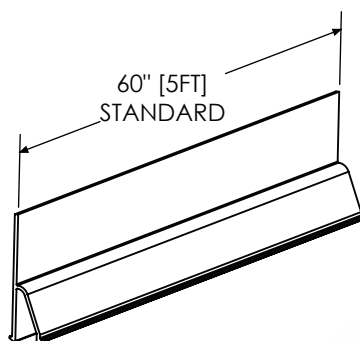
WITH DIVIDER LEFT



WITH DIVIDER RIGHT



UL LISTED  
FILE: E167318



4 International Drive  
Rye Brook, NY 10573  
Toll Free: 1 888.764.7681  
Phone: 914.934.2075  
Fax: 914.934.2190  
MonoSystems.com

