

Surface Raceway / Aluminum SWA5206

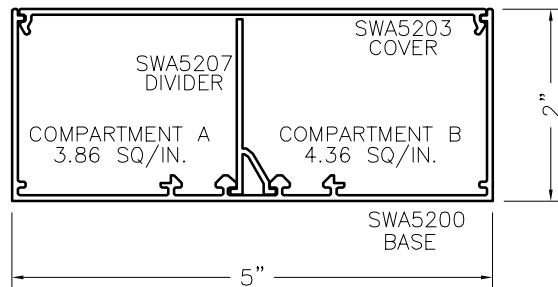
SnapWay™ Accessories
Manufactured by MonoSystems, Inc.

COVER CLIP

Assembly Instructions

1.) Snap over cover seams as required.

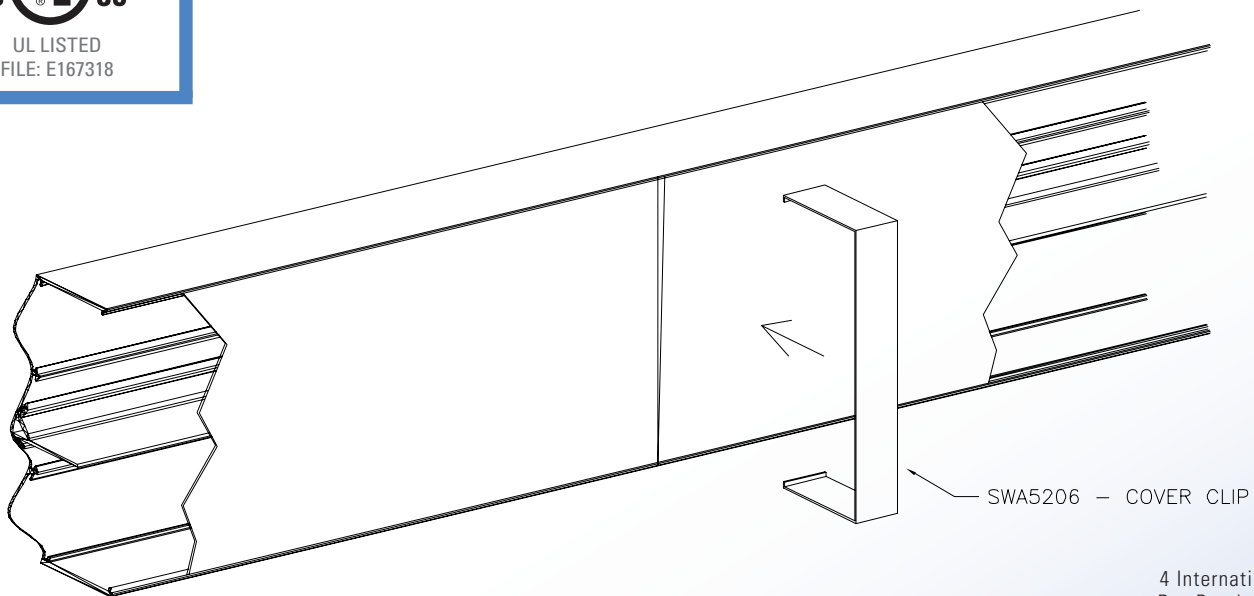
Material
20 Gauge Stainless Steel.



SWA5200 SERIES
ALUMINUM RACEWAY
SECTION VIEW
SATIN ANODIZED FINISH
(EACH ORDERED SEPARATELY)



UL LISTED
FILE: E167318



4 International Drive
Rye Brook, NY 10573
Toll Free: 1 888.764.7681
Phone: 914.934.2075
Fax: 914.934.2190
MonoSystems.com

