

Surface Raceway / Aluminum SWA5204

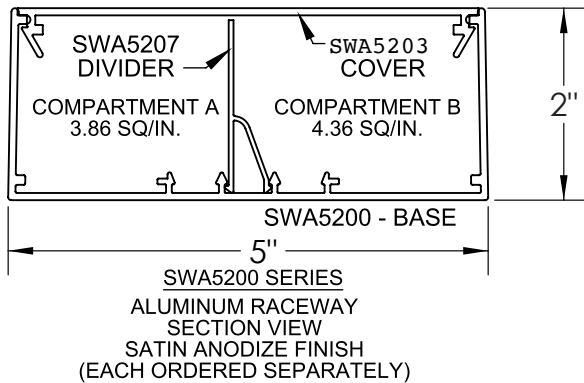
SnapWay™ Accessories

Manufactured by MonoSystems, Inc.

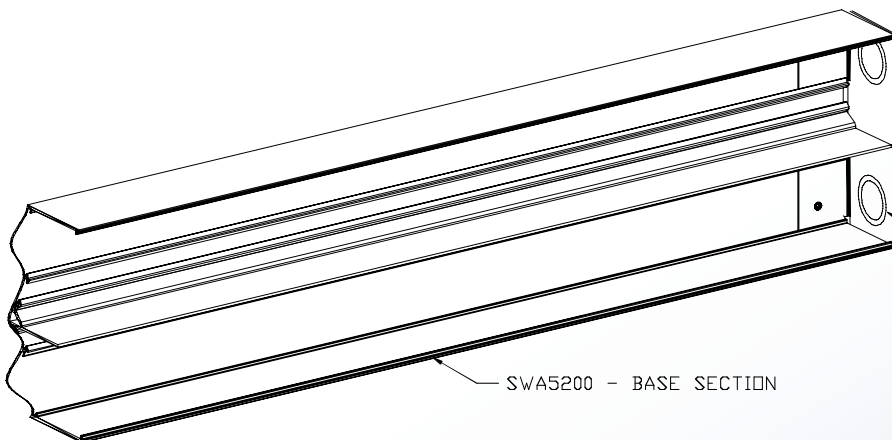
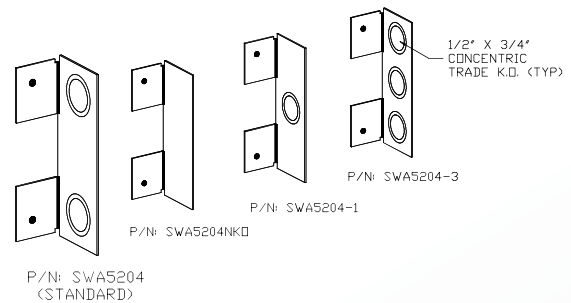
BLIND END

Notes

1. Use to terminate runs of base, or remove knockouts for conduit attachment.
2. Views for reference- do not scale.
3. Satin anodized finish.



UL LISTED
FILE: E167318



INSERT BLANK END AS SHOWN AND
SECURE USING PROVIDED HARDWARE.

4 International Drive
Rye Brook, NY 10573
Toll Free: 1 888.764.7681
Phone: 914.934.2075
Fax: 914.934.2190
MonoSystems.com

