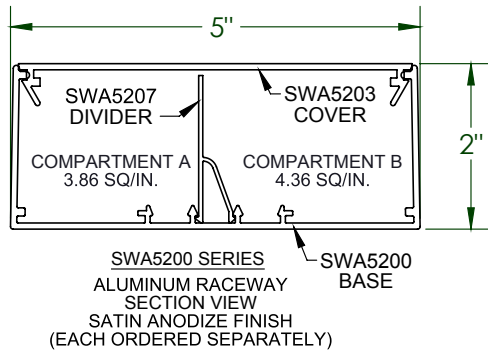


# Surface Raceway / Aluminum SWA5203-CPO

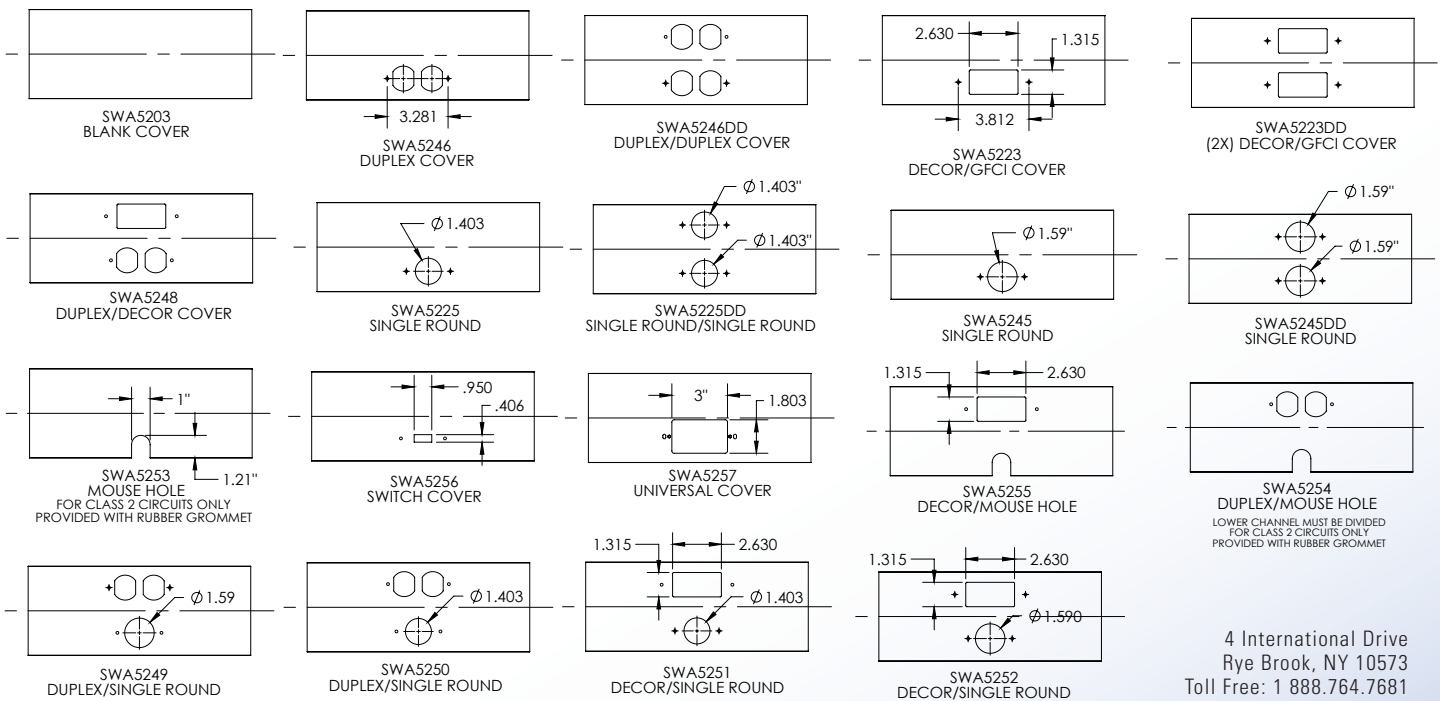
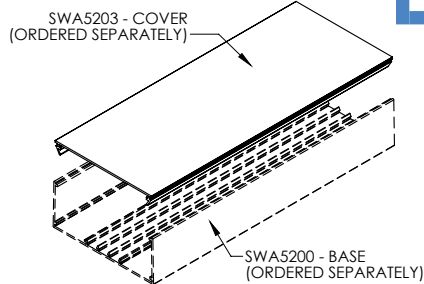
SnapWay™ Accessories  
Manufactured by MonoSystems, Inc.

## COVER PLATE OPTIONS



### Notes:

- 1.) Assembly instructions: firmly press cover into place ensuring that both sides are completely snapped into base section.
- 2.) All device covers come 12" standard unless specified otherwise.
- 3.) Material: #6063-T6 extruded aluminum, satin anodized finish.
- 4.) UL listed when used with grounding adapter clips (SWA48GC) adjacent to wire entry points.
- 5.) Custom covers not shown may be developed, speak with MonoSystems.
- 6.) Views for reference - do not scale.



4 International Drive  
Rye Brook, NY 10573  
Toll Free: 1 888.764.7681  
Phone: 914.934.2075  
Fax: 914.934.2190  
MonoSystems.com

