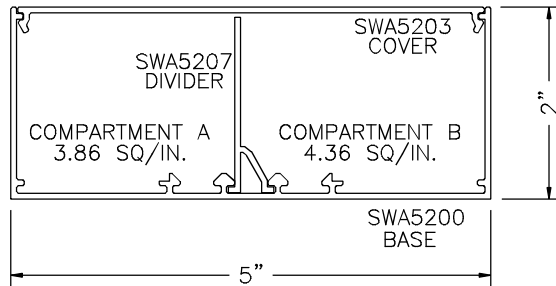


Surface Raceway / Aluminum SWA5200

SnapWay™

Manufactured by MonoSystems, Inc.

ALUMINUM RACEWAY



SWA5200 SERIES
ALUMINUM RACEWAY
SECTION VIEW
SATIN ANODIZED FINISH
(EACH ORDERED SEPARATELY)

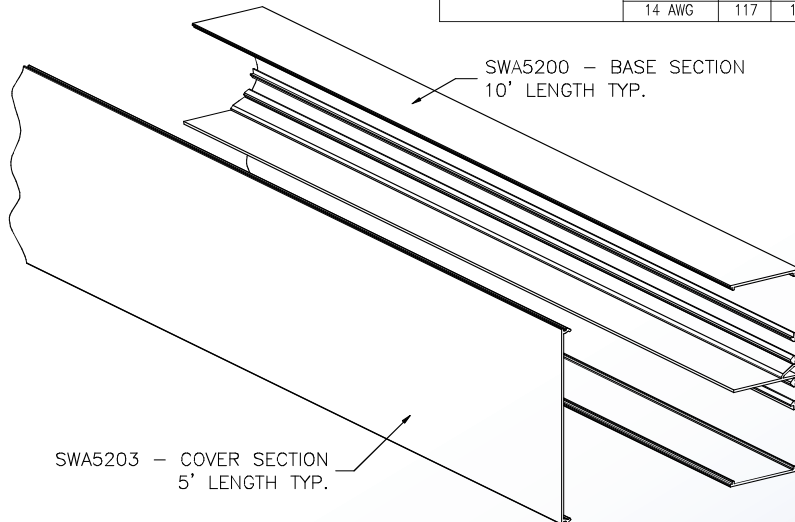
- 1.) Rigidly secure base section to structural building member or wall construction at 18" maximum mounting centers. Verify fasteners & mounting interval based on mounting surface construction (hardware by others).
- 2.) Divide Raceway using optional SWA5207 divider strip located as required.
- 3.) Terminate all wiring/devices per NEC local codes.
- 4.) Enclose Raceway using SWA5203 cover section and/or MonoSystems, Inc. device cover plates.



UL LISTED
FILE: E164140

Compartment	WIRE SIZE THHN/THWN	40% FILL	
		A	B
Power Wiring Without Devices	6 AWG	30	34
	8 AWG	42	48
	10 AWG	84	98
	12 AWG	133	154
Power Wiring With Devices	6 AWG	19	24
	8 AWG	27	34
	10 AWG	55	68
	12 AWG	88	108
	14 AWG	117	145

CABLE TYPE	CATEGORY/DESIGNATION	20% FILL		40% FILL	
		A	B	A	B
Unshielded Twisted Pair	4-pair, 24 AWG Cat. 3	20	22	40	45
	4-pair, 24 AWG Cat. 5e	27	30	54	61
	4-pair, 24 AWG Cat. 6	15	17	31	35
Telephone	2-pair, 24 AWG	50	56	100	113
	3-pair, 24 AWG	43	49	87	98
	4-pair, 24 AWG	27	30	54	61
	25-pair, 24 AWG	5	6	11	13
Coaxial Cables	RG58/U	25	29	51	58
	RG59/U	16	18	33	37
	RG6/U	13	15	26	30
Twinaxial	100 Ohm	9	10	18	20
Shielded Twisted Pair	TYPE 1	6	7	12	14
	TYPE 2	4	5	9	10
	TYPE 3	16	18	32	36



4 International Drive
Rye Brook, NY 10573
Toll Free: 1 888.764.7681
Phone: 914.934.2075
Fax: 914.934.2190
MonoSystems.com

