

# Surface Raceway / Aluminum SWA48GC

## SnapWay™ Accessories

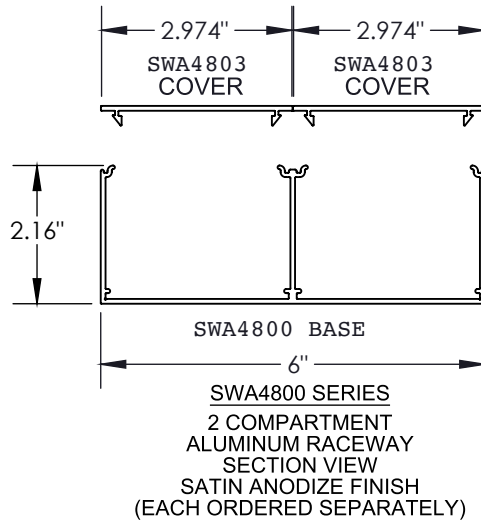
Manufactured by MonoSystems, Inc.

### GROUNDING ADAPTER CLIP

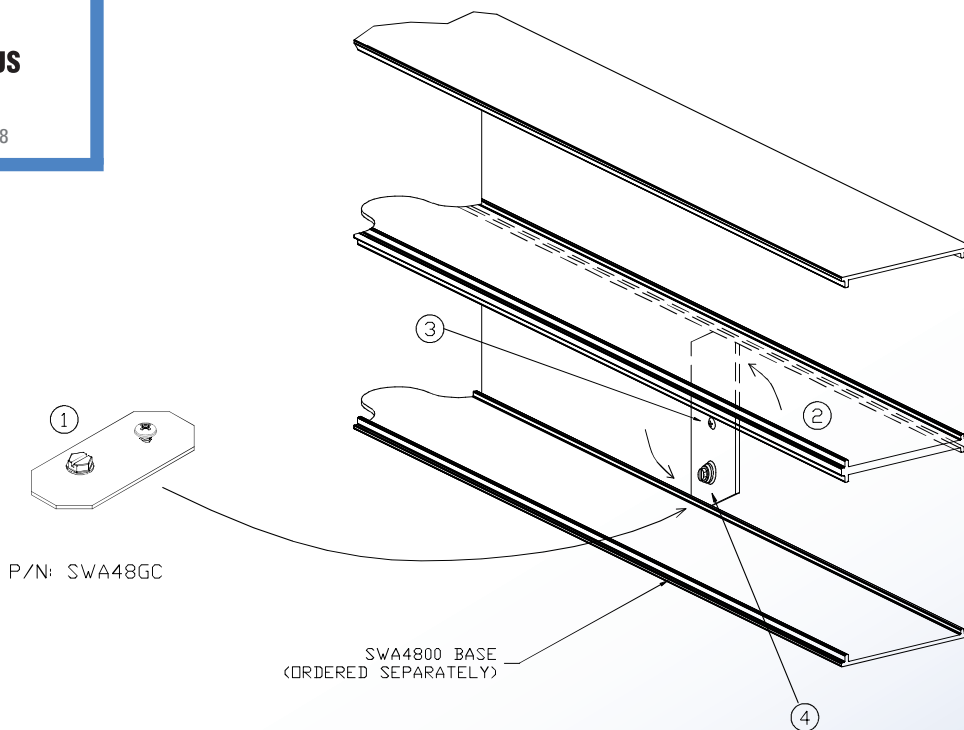
Use to attach incoming ground to Raceway base assemblies and/or to individual receptacles per local codes.

#### Assembly Instructions

- 1.) Insert grounding adapter into base section at angle as shown.
- 2.) Rotate grounding adapter underneath base flanges as shown.
- 3.) Secure grounding adapter to base by tightening indicated 8-32x3/16" pan HD screw. Tighten until tension created keeps fitting secure in place.
- 4.) Attach ground leads as required per local codes to green 10-32 ground screw.



UL LISTED  
FILE: E167318



4 International Drive  
Rye Brook, NY 10573  
Toll Free: 1 888.764.7681  
Phone: 914.934.2075  
Fax: 914.934.2190  
MonoSystems.com

