

# Surface Raceway / Aluminum SWA4853

## SnapWay™ Accessories

Manufactured by MonoSystems, Inc.

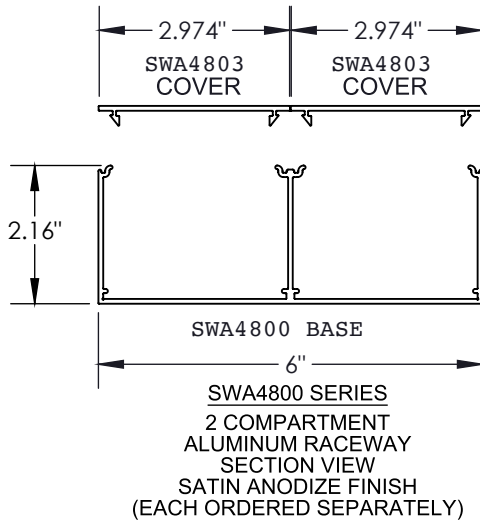
### MOUSE HOLE PLATE

#### Assembly Instructions

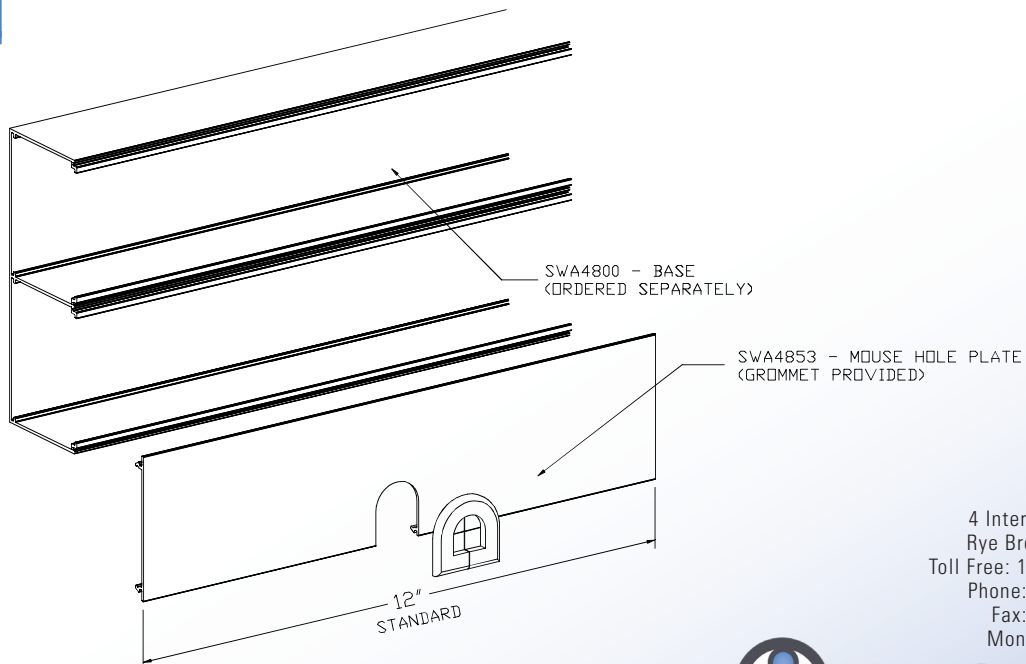
- 1.) Use for low voltage cable exit. Class 2 circuits only.
- 2.) Use provided grommet to protect cable.
- 3.) Snap cover into place.

#### Material

#6063-T6 Extruded Aluminum. Nominal Wall 0.060".  
Satin Anodized Finish.



UL LISTED  
FILE: E167318



4 International Drive  
Rye Brook, NY 10573  
Toll Free: 1 888.764.7681  
Phone: 914.934.2075  
Fax: 914.934.2190  
MonoSystems.com

