

Surface Raceway / Aluminum SWA4830

SnapWay™ Fittings

Manufactured by MonoSystems, Inc.

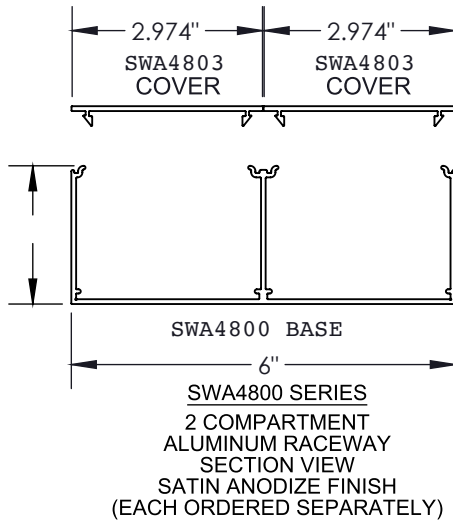
WALL BOX, REAR FEED

Notes

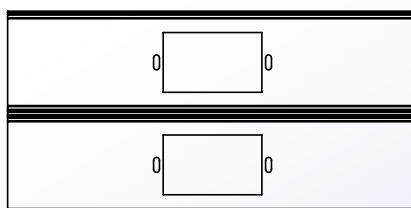
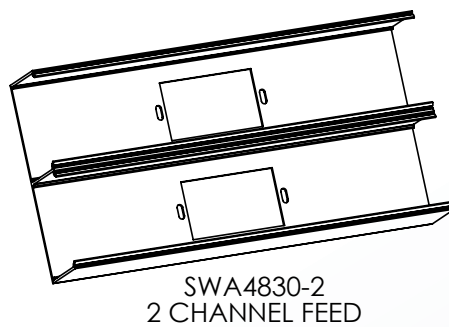
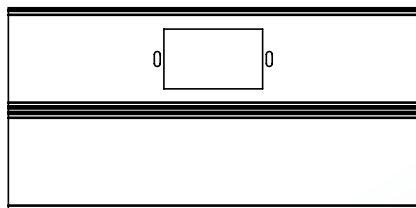
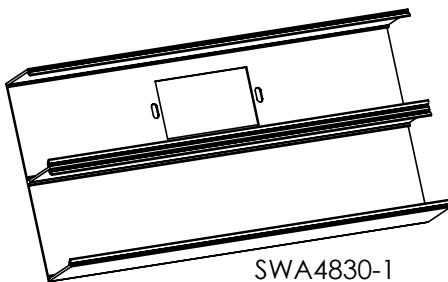
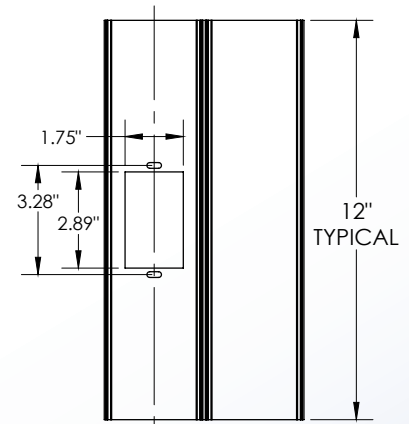
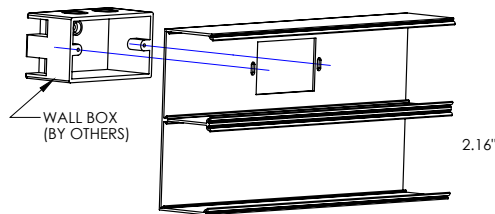
- 1.) Assembly Instructions: Rigidly secure base section to structural building member or wall construction at 18" maximum mounting centers. Engineer to verify fasteners and mounting interval based on mounting surface construction (hardware by others).
- 2.) Attach SWA4830 to SWA4800 base sections using 2 pair of SWA4802 couplings (ordered separately).
- 3.) UL listed when used with grounding adapter clips (SWA48GC) adjacent to wire entry points.
- 4.) Views for reference - do not scale.

Material

#6063-T6 Extruded Aluminum, Satin Anodized Finish.



UL LISTED
FILE: E167318



4 International Drive
Rye Brook, NY 10573
Toll Free: 1 888.764.7681
Phone: 914.934.2075
Fax: 914.934.2190
MonoSystems.com

