

Surface Raceway / Aluminum SWA4826

SnapWay™ Accessories

Manufactured by MonoSystems, Inc.

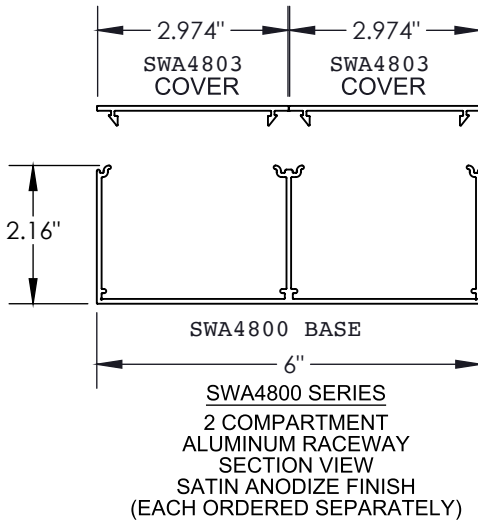
ROUND DEVICE PLATE 1.59" DIA.

Notes

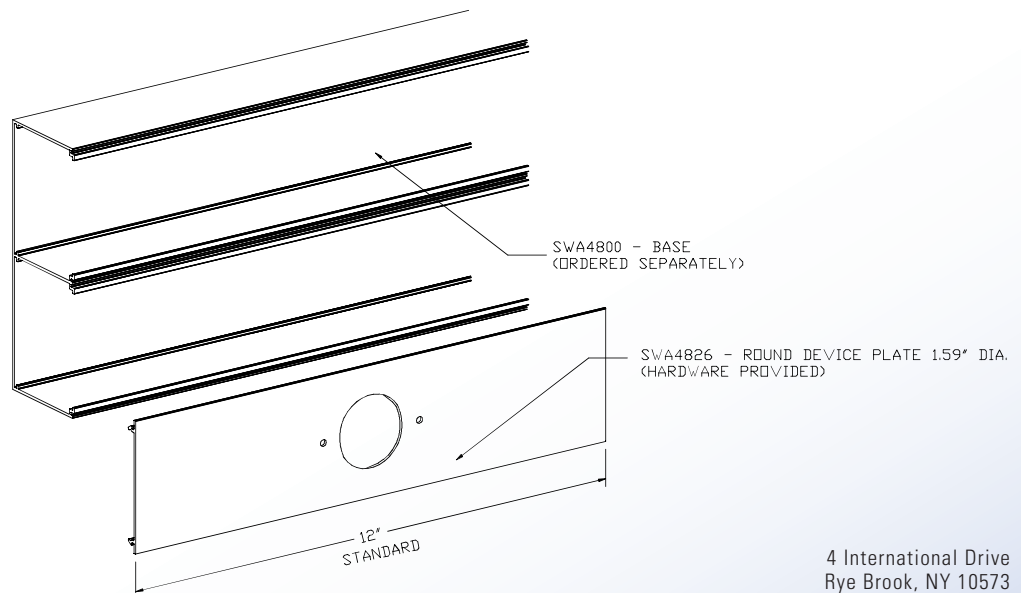
- 1.) Assembly instructions: firmly press cover into place ensuring that both sides are completely snapped into base section.
- 2.) To remove cover: gently pry upward on base and cover seam with a non-abrasive tool such as a plastic putty knife.
- 3.) Receptacle device (ordered separately) wire per NEC and local codes.
- 4.) View for reference - do not scale.

Material

#6063-T6 Extruded Aluminum, Satin Anodized Finish.



UL LISTED
FILE: E167318



4 International Drive
Rye Brook, NY 10573
Toll Free: 1 888.764.7681
Phone: 914.934.2075
Fax: 914.934.2190
MonoSystems.com

