

# Surface Raceway / Aluminum SWA4823

## SnapWay™ Accessories

Manufactured by MonoSystems, Inc.

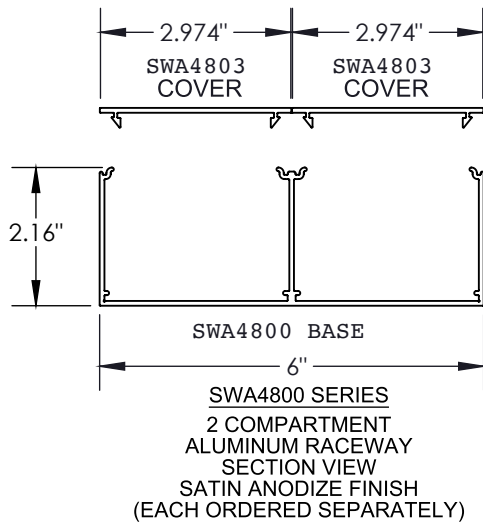
### RECTANGULAR DEVICE PLATE

#### Notes

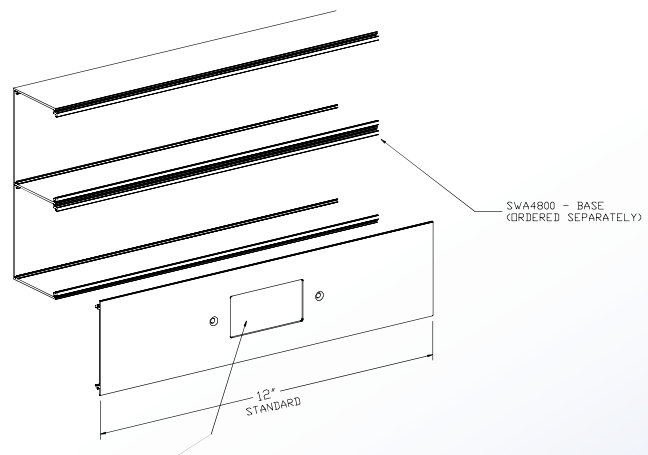
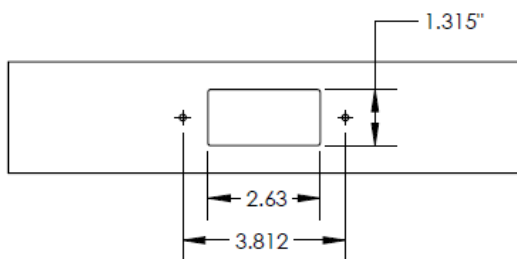
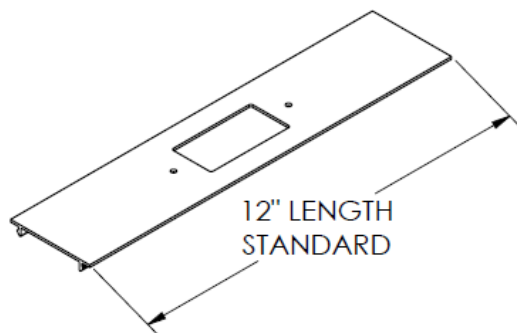
- 1.) Assembly instructions: firmly press cover into place ensuring that both sides are completely snapped into base section.
- 2.) To remove cover: gently pry upward on base and cover seam with a non-abrasive tool such as a plastic putty knife.
- 3.) Receptacle device (ordered separately) wire per NEC and local codes.
- 4.) View for reference - do not scale.

#### Material

#6063-T6 Extruded Aluminum, Satin Anodized Finish.



UL LISTED  
FILE: E167318



SWA4823 - RECTANGULAR (DECOR) DEVICE PLATE (HARDWARE PROVIDED)

4 International Drive  
Rye Brook, NY 10573  
Toll Free: 1 888.764.7681  
Phone: 914.934.2075  
Fax: 914.934.2190  
MonoSystems.com

