

Surface Raceway / Aluminum SWA4810

SnapWay™ Fittings

Manufactured by MonoSystems, Inc.

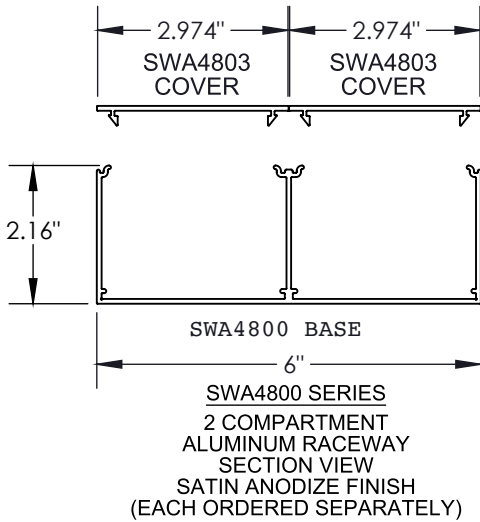
TEE

Notes

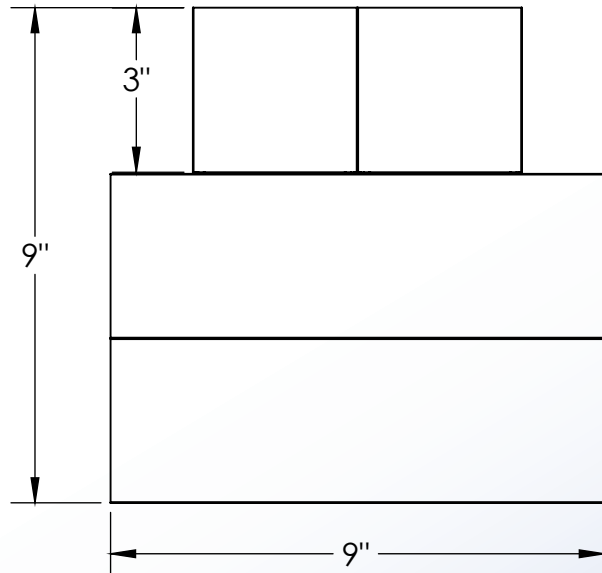
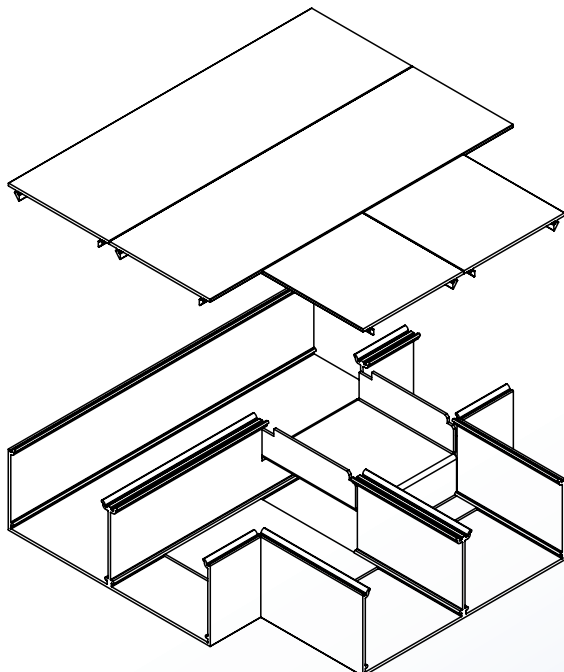
- 1.) Connect divided tee to SWA4800 base section using SWA4802 Couplings (2 pair provided). Secure tee to base section by tightening #8-32 x 3/16" coupling screws.
- 2.) View for reference - do not scale.

Material

#6063-T6 Extruded Aluminum, Satin Anodized Finish.



UL LISTED
FILE: E167318



4 International Drive
Rye Brook, NY 10573
Toll Free: 1 888.764.7681
Phone: 914.934.2075
Fax: 914.934.2190
MonoSystems.com

