

Surface Raceway / Aluminum SWA4807

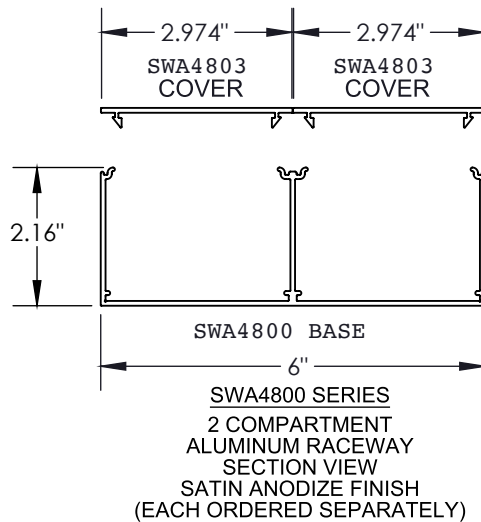
SnapWay™ Accessories

Manufactured by MonoSystems, Inc.

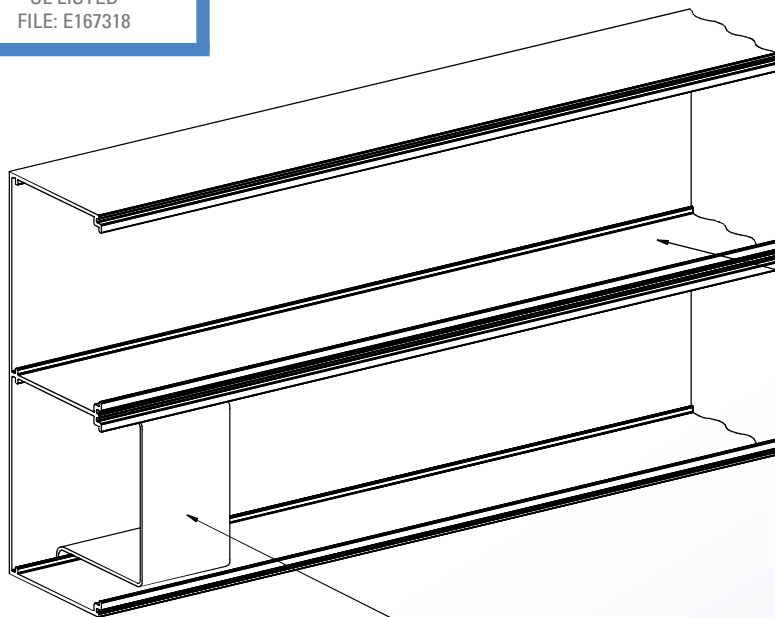
WIRE CLIP

Assembly Instructions

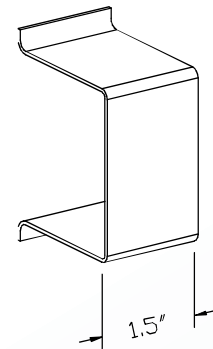
- 1.) Install wire clip around wire inside Raceway by inserting one edge into inner bottom lip (as shown). Gently compress wire clip and install into adjacent bottom clip.
- 2.) UL listed when used with grounding adapter clip (SWA48GC) adjacent to wire entry point.
- 2.) Material 304 Stainless Steel.
- 3.) View for reference - do not scale.



UL LISTED
FILE: E167318



SWA4807 - STAINLESS STEEL
WIRE CLIP



SWA4800 - BASE
(ORDERED SEPARATELY)

4 International Drive
Rye Brook, NY 10573
Toll Free: 1 888.764.7681
Phone: 914.934.2075
Fax: 914.934.2190
MonoSystems.com

