

Surface Raceway / Aluminum SWA4806

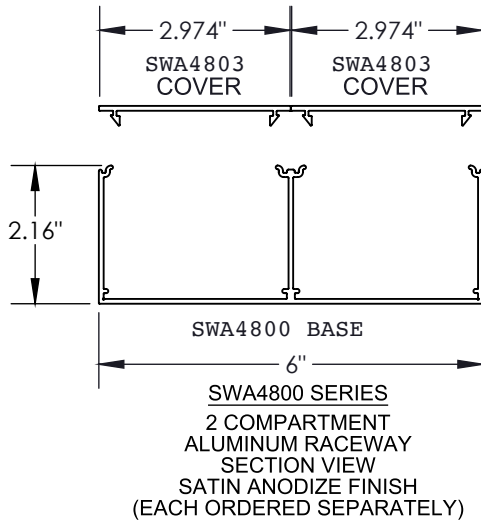
SnapWay™ Accessories

Manufactured by MonoSystems, Inc.

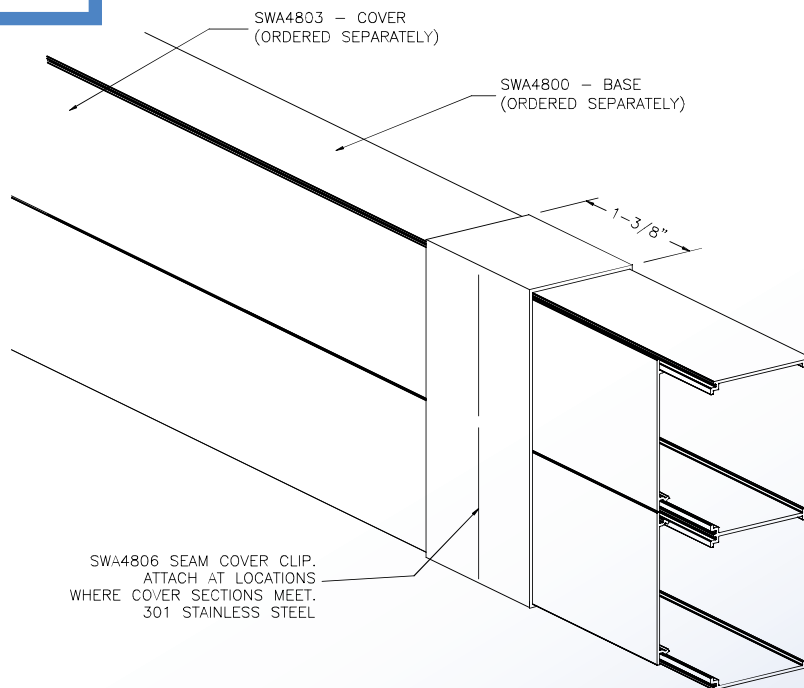
SEAM COVER CLIP

Notes

- 1.) Use to cover uneven seams in cover plates.
- 2.) Material 304 Stainless Steel.
- 3.) View for reference - do not scale.



UL LISTED
FILE: E167318



4 International Drive
Rye Brook, NY 10573
Toll Free: 1 888.764.7681
Phone: 914.934.2075
Fax: 914.934.2190
MonoSystems.com

