

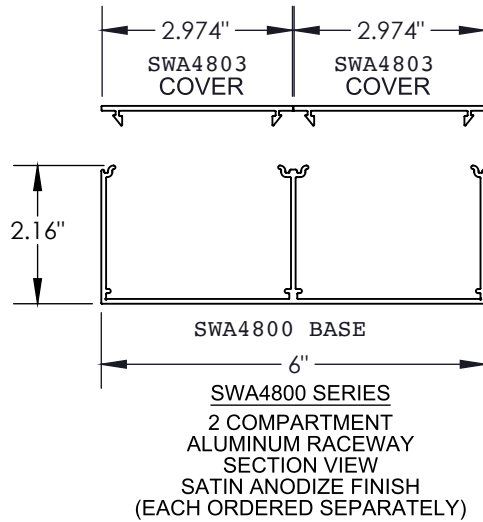
# Surface Raceway / Aluminum SWA4805

SnapWay™ Fittings  
Manufactured by MonoSystems, Inc.

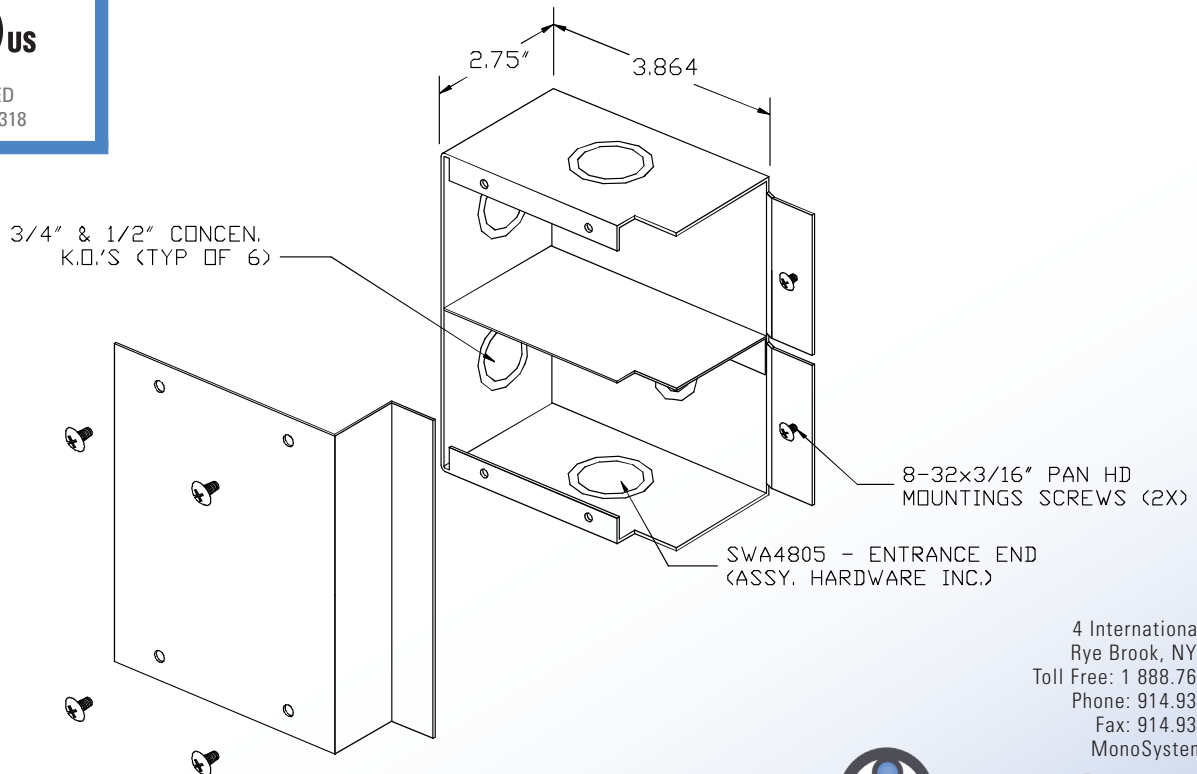
## ENTRANCE END

### Assembly Instructions

- 1.) Secure entrance end to base by tightening indicated 8-32x3/16" pan hd screws, tighten until tension created keeps fitting secure in place.
- 2.) UL listed when used with grounding adapter clip (SWA48GC) adjacent to wire entry point.



UL LISTED  
FILE: E167318



4 International Drive  
Rye Brook, NY 10573  
Toll Free: 1 888.764.7681  
Phone: 914.934.2075  
Fax: 914.934.2190  
MonoSystems.com

