

# Surface Raceway / Aluminum SWA4804

## SnapWay™ Accessories

Manufactured by MonoSystems, Inc.

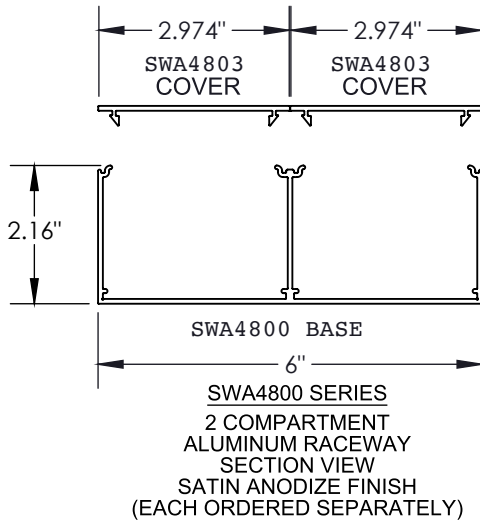
### BLIND END

#### Assembly Instructions

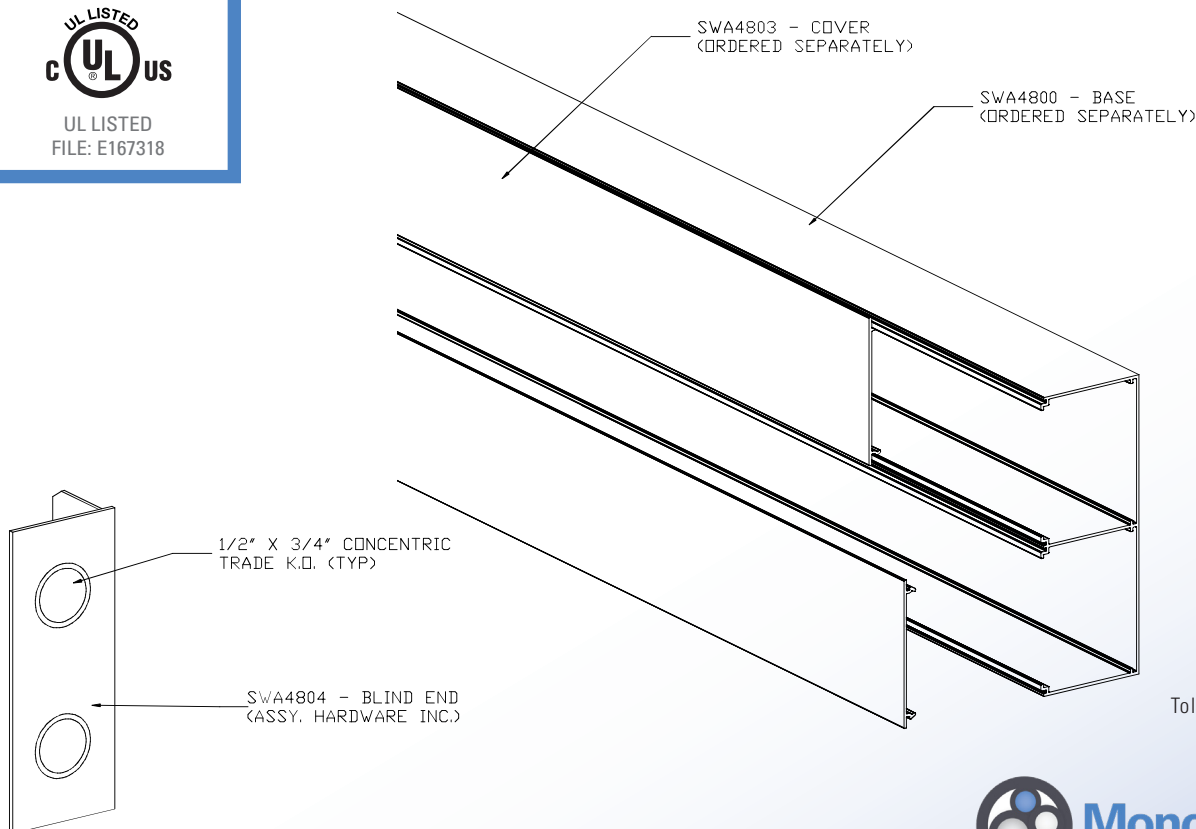
- 1.) Insert blind end fully into SWA4800 base section secure in place using provided #8-32x3/16" pan hd screws.
- 2.) UL listed when used with grounding adapter clip (SWA48GC) adjacent to wire entry point.

#### Material

#6063-T6 Extruded Aluminum  
Satin Anodize Finish"



UL LISTED  
FILE: E167318



4 International Drive  
Rye Brook, NY 10573  
Toll Free: 1 888.764.7681  
Phone: 914.934.2075  
Fax: 914.934.2190  
MonoSystems.com

