

Surface Raceway / Aluminum SWA4803

SnapWay™ Accessories

Manufactured by MonoSystems, Inc.

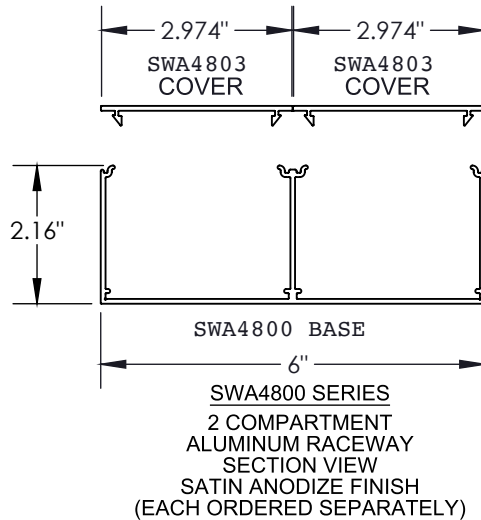
COVER PLATE

Notes

- 1.) Assembly instructions: Firmly press cover into place ensuring that both sides are completely snapped into base section.
- 2.) To remove cover: Gently pry upward on base and cover seam with a non-abrasive tool such as a plastic putty knife.
- 3.) Views for reference - do not scale.

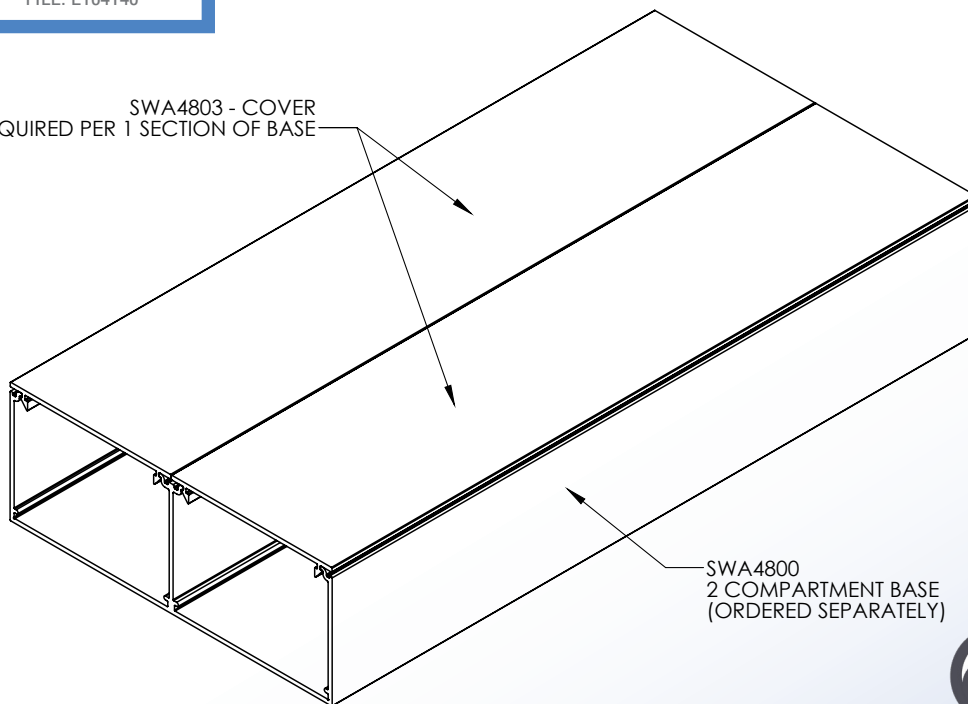
Material

#6063-T6 Extruded Aluminum, Satin Anodized Finish.

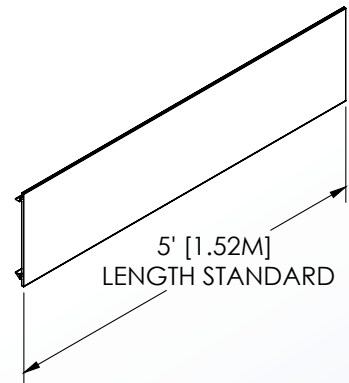


UL LISTED
FILE: E164140

SWA4803 - COVER
2 REQUIRED PER 1 SECTION OF BASE



SWA4800
2 COMPARTMENT BASE
(ORDERED SEPARATELY)



4 International Drive
Rye Brook, NY 10573
Toll Free: 1 888.764.7681
Phone: 914.934.2075
Fax: 914.934.2190
MonoSystems.com

