

Surface Raceway / Aluminum SWA4802

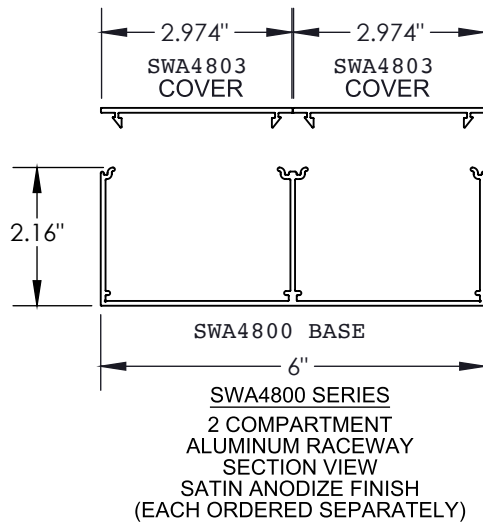
SnapWay™ Accessories

Manufactured by MonoSystems, Inc.

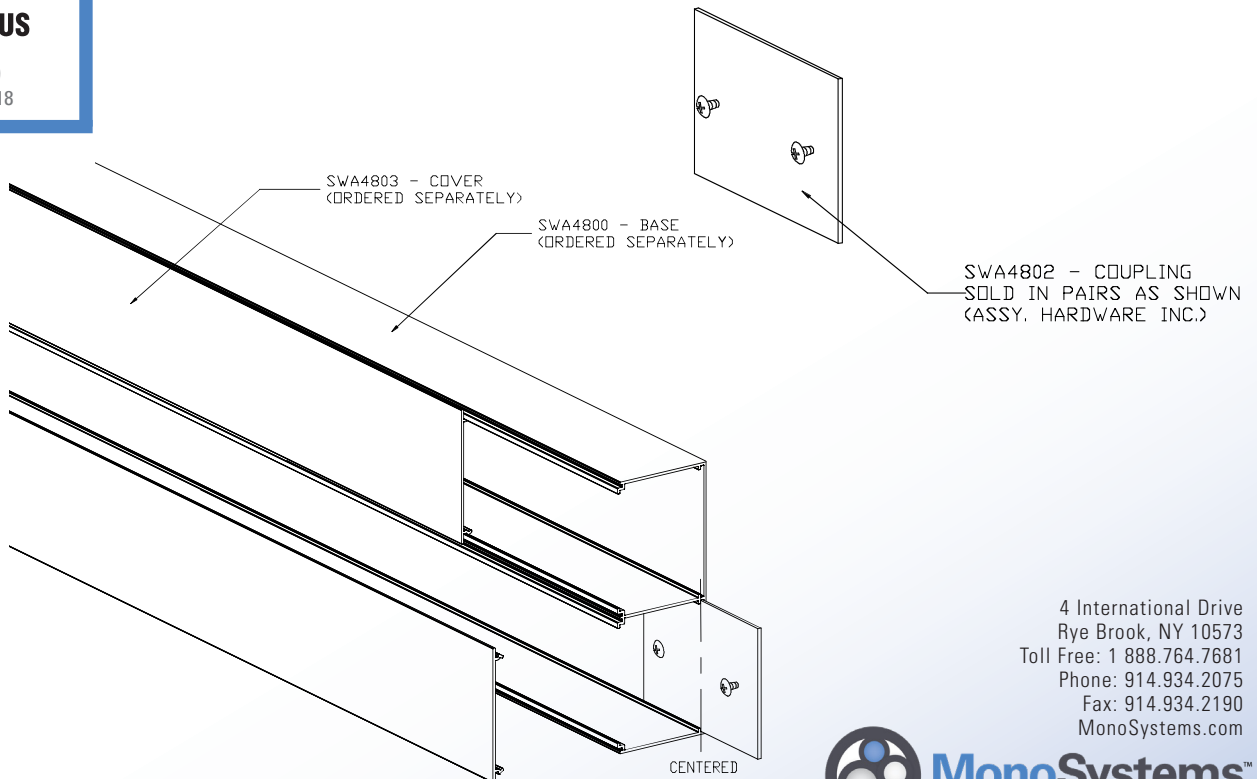
COUPLING

Assembly Instructions

- 1.) Insert couplings into ends of SWA4800 series base sections or fittings to be joined.
- 2.) Secure in place by tightening provided #8-32x3/16" pan hd screws, tighten until tension created keeps fittings secure in place.
- 3.) UL listed when used with a grounding adaptor clip (SWA48GC) adjacent to wire entry point.



UL LISTED
FILE: E167318



4 International Drive
Rye Brook, NY 10573
Toll Free: 1 888.764.7681
Phone: 914.934.2075
Fax: 914.934.2190
MonoSystems.com

