

# Surface Raceway / Aluminum SWA4800

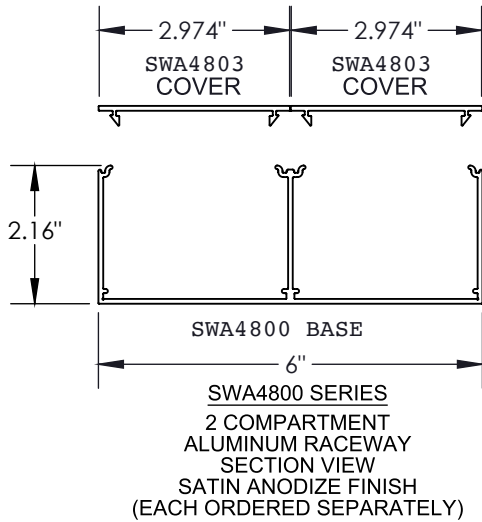
SnapWay™

Manufactured by MonoSystems, Inc.

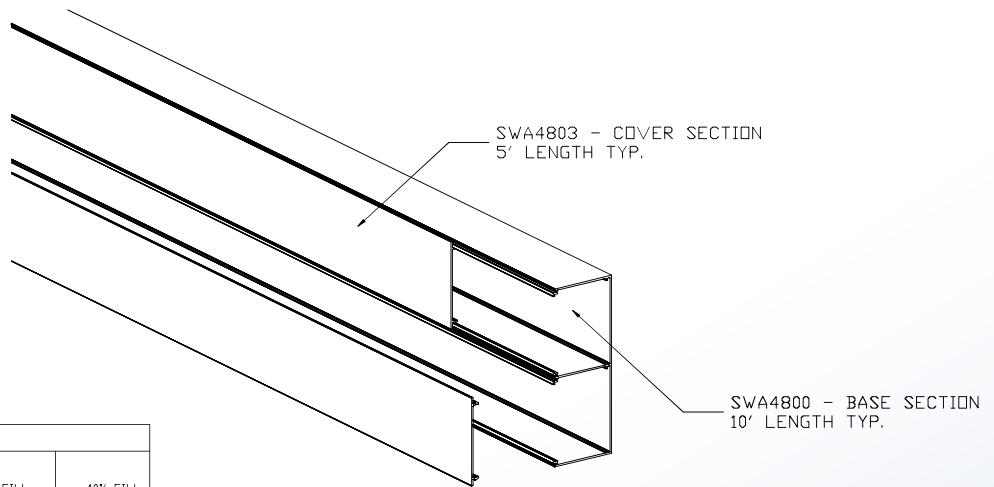
## ALUMINUM SURFACE RACEWAY

### Notes

- SWA4800 series: Aluminum Raceway provides a total solution for two channel applications. Its robust, non-corroding construction and attractive anodized aluminum finish make it ideal for laboratories, healthcare facilities and contemporary interior design schemes. The SWA4800 features separate covers which provide access to each individual compartment without the need to expose the adjacent compartment. A full line of easy-to-use fittings and accessories are available to complete virtually any project.



UL LISTED  
FILE: E164140



CABLE TYPE	CATEGORY/DESIGNATION	20% FILL	40% FILL
Unshielded Twisted Pair	4-pair, 24 AWG Cat. 5 UTP	31	62
	4-pair, 24 AWG Cat. 3 UTP	41	83
Telephone	2-pair, 24 AWG	77	154
	3-pair, 24 AWG	67	134
	4-pair, 24 AWG	41	83
	25-pair, 24 AWG	8	17
Coaxial Cables	RG58/U	39	79
	RG59/U	25	51
	RG62/U	25	51
	RG6/U	20	41
Twinaxial	100 Ohm	13	27
Shielded Twisted Pair	TYPE 1	9	19
	TYPE 2	6	13
	TYPE 3	25	50
Fiber Optic	Two Strand (Duplex) Multimode 62.5/125 µm	41	83

	WIRE SIZE THHN/THWN	40% FILL
Power Wiring Without Devices	6 AWG	41
	8 AWG	56
	10 AWG	98
	12 AWG	156
	14 AWG	214
Power Wiring With Devices (2.04 Sq. In. [51.82mm <sup>2</sup> ])	6 AWG	30
	8 AWG	42
	10 AWG	73
	12 AWG	116
	14 AWG	159

4 International Drive  
Rye Brook, NY 10573  
Toll Free: 1 888.764.7681  
Phone: 914.934.2075  
Fax: 914.934.2190  
MonoSystems.com

