

# Surface Raceway / Aluminum SWA45A4

**SnapWay™ Fittings**  
Manufactured by MonoSystems, Inc.

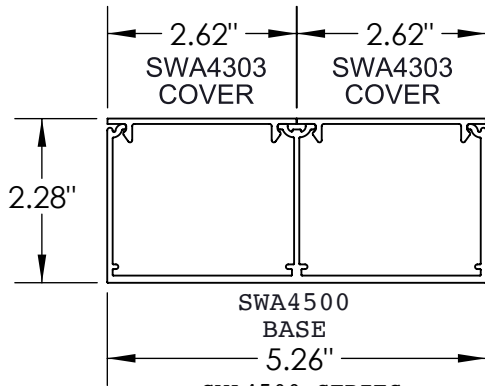
## DEEP DEVICE BOX

### Assembly Instructions

- 1.) Secure deep device box to SWA4500 base sections using SWA4302 couplings (order separately).
- 2.) Supplied as 12" SWA4500 Raceway section with premounted device box as shown.
- 3.) Mount device (by others) to SWA45A4 Raceway device box, wire per NEC & local codes.
- 4.) Finish with device plate (ordered separately).
- 5.) Views for reference - do not scale.

### Material

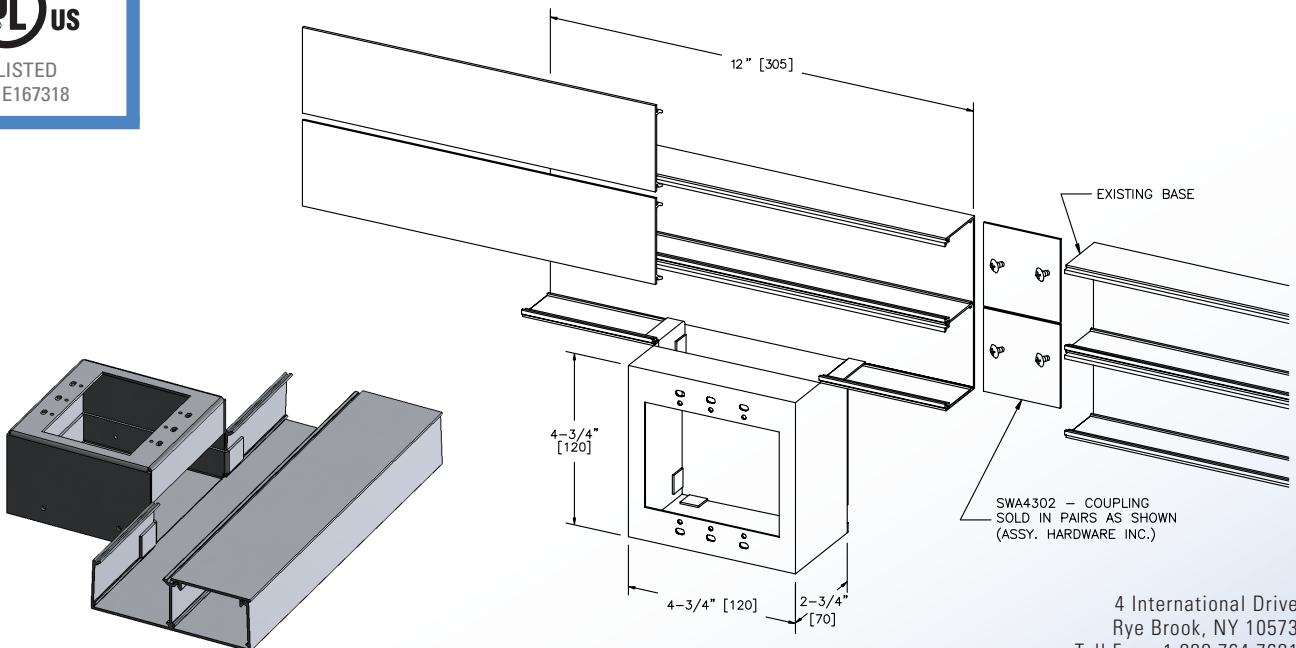
Aluminum. Satin anodized finish.



**SWA4500 SERIES**  
2 COMPARTMENT  
ALUMINUM RACEWAY  
SECTION VIEW  
SATIN ANODIZE FINISH  
(EACH ORDERED SEPARATELY)



UL LISTED  
FILE: E167318



4 International Drive  
Rye Brook, NY 10573  
Toll Free: 1 888.764.7681  
Phone: 914.934.2075  
Fax: 914.934.2190  
MonoSystems.com

