

Surface Raceway / Aluminum SWA4530

SnapWay™ Fittings

Manufactured by MonoSystems, Inc.

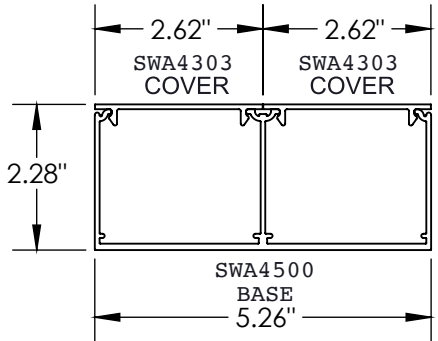
WALL BOX, REAR FEED

Notes

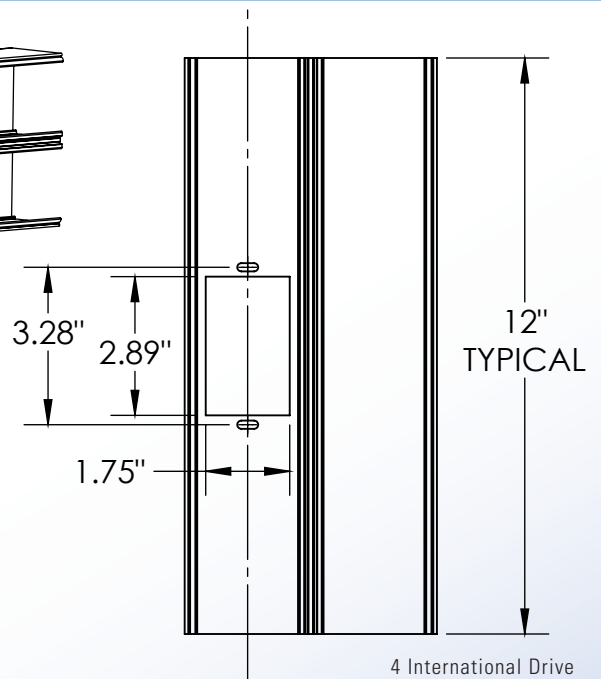
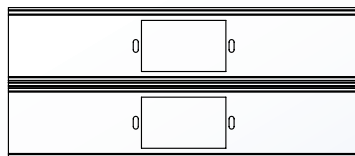
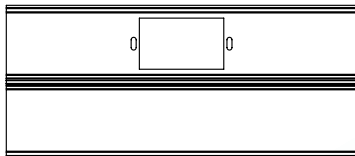
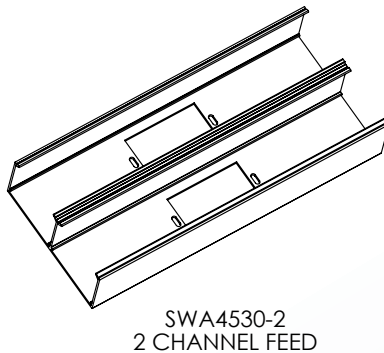
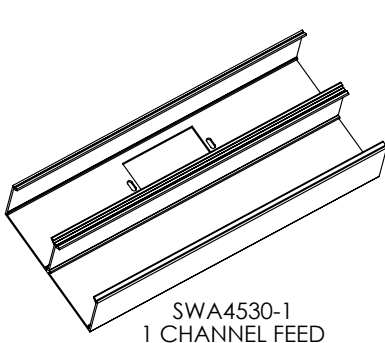
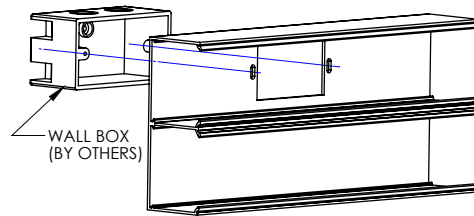
- 1.) Assembly instructions: rigidly secure base section to structural building member or wall construction at 18" maximum mounting centers. Engineer to verify fasteners and mounting interval based on mounting surface construction (hardware by others).
- 3.) Attached SWA4530 to SWA4500 base sections using 2 pairs of SWA4502 couplings (ordered separately).
- 3.) Views for reference - do not scale.

Material

#6063-T6 Extruded Aluminum, Satin Anodized Finish.



SWA4500 SERIES
2 COMPARTMENT
ALUMINUM RACEWAY
SECTION VIEW
SATIN ANODIZE FINISH
(EACH ORDERED SEPARATELY)



4 International Drive
Rye Brook, NY 10573
Toll Free: 1 888.764.7681
Phone: 914.934.2075
Fax: 914.934.2190
MonoSystems.com

