

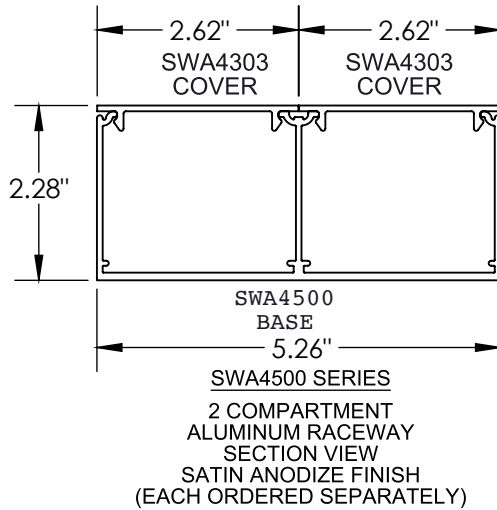
Surface Raceway / Aluminum SWA4517

SnapWay™ Fittings
Manufactured by MonoSystems, Inc.

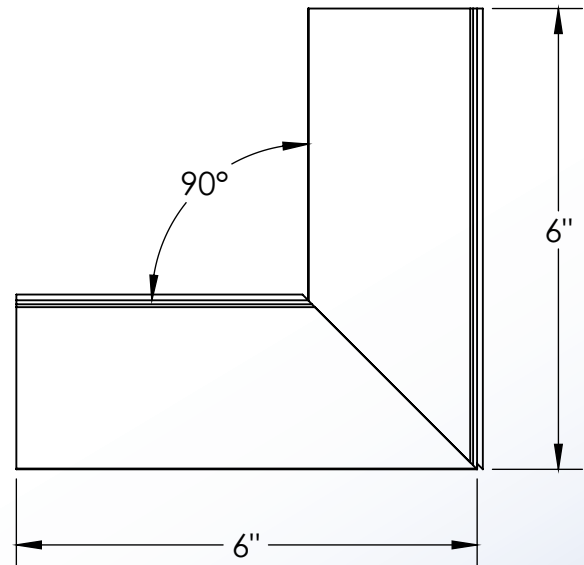
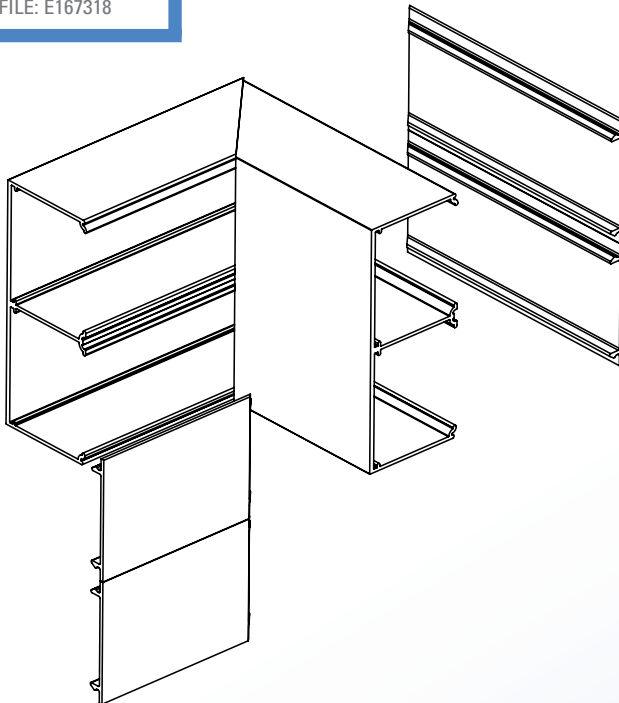
INVERTED ELBOW

Notes

- 1.) Connect inverted elbow to SWA4500 base section using SWA4502 couplings (2 pair provided).
- 2.) Secure elbow to base by tightening #8-32 x 3/16" coupling screws.
- 3.) UL listed when used with grounding adapter clips (SWA45GC) adjacent to wire entry point.
- 4.) Views for reference - do not scale.



UL LISTED
FILE: E167318



4 International Drive
Rye Brook, NY 10573
Toll Free: 1 888.764.7681
Phone: 914.934.2075
Fax: 914.934.2190
MonoSystems.com

