

Surface Raceway / Aluminum SWA4506

SnapWay™ Accessories

Manufactured by MonoSystems, Inc.

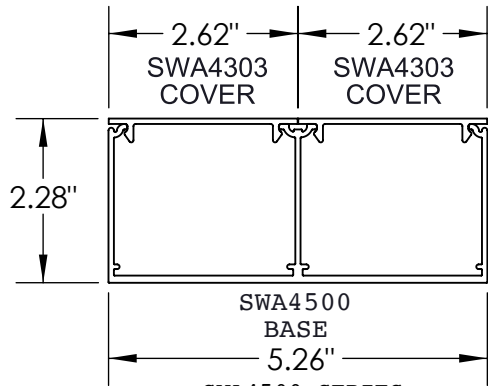
SEAM COVER CLIP

Notes

1.) Use to cover seams of uneven cover.

Material

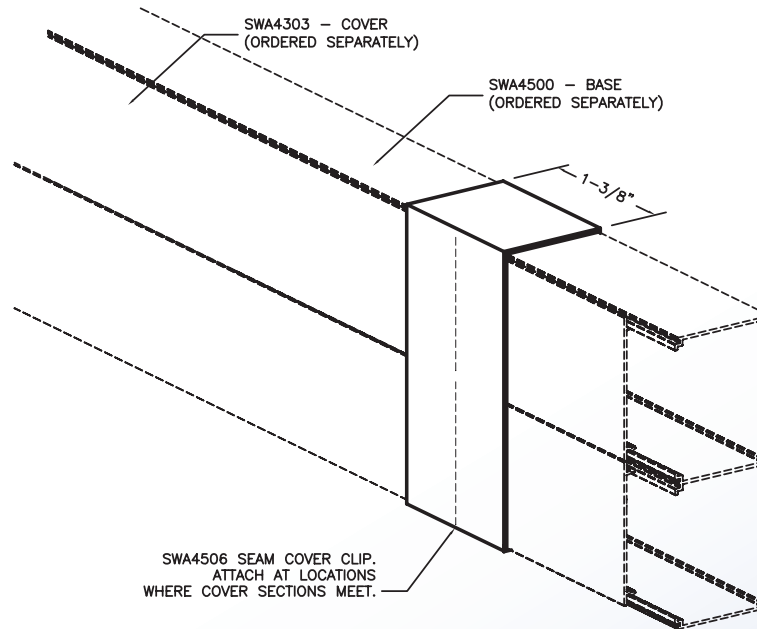
304 Stainless Steel.



SWA4500 SERIES
2 COMPARTMENT
ALUMINUM RACEWAY
SECTION VIEW
SATIN ANODIZE FINISH
(EACH ORDERED SEPARATELY)



UL LISTED
FILE: E164140



4 International Drive
Rye Brook, NY 10573
Toll Free: 1 888.764.7681
Phone: 914.934.2075
Fax: 914.934.2190
MonoSystems.com

