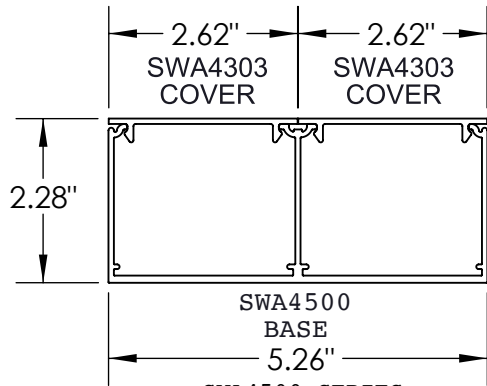


Surface Raceway / Aluminum SWA4500A

SnapWay™

Manufactured by MonoSystems, Inc.

TWO COMPARTMENT ALUMINUM RACEWAY BASE & COVER



SWA4500 SERIES
2 COMPARTMENT
ALUMINUM RACEWAY
SECTION VIEW
SATIN ANODIZE FINISH
(EACH ORDERED SEPARATELY)

Assembly Instructions

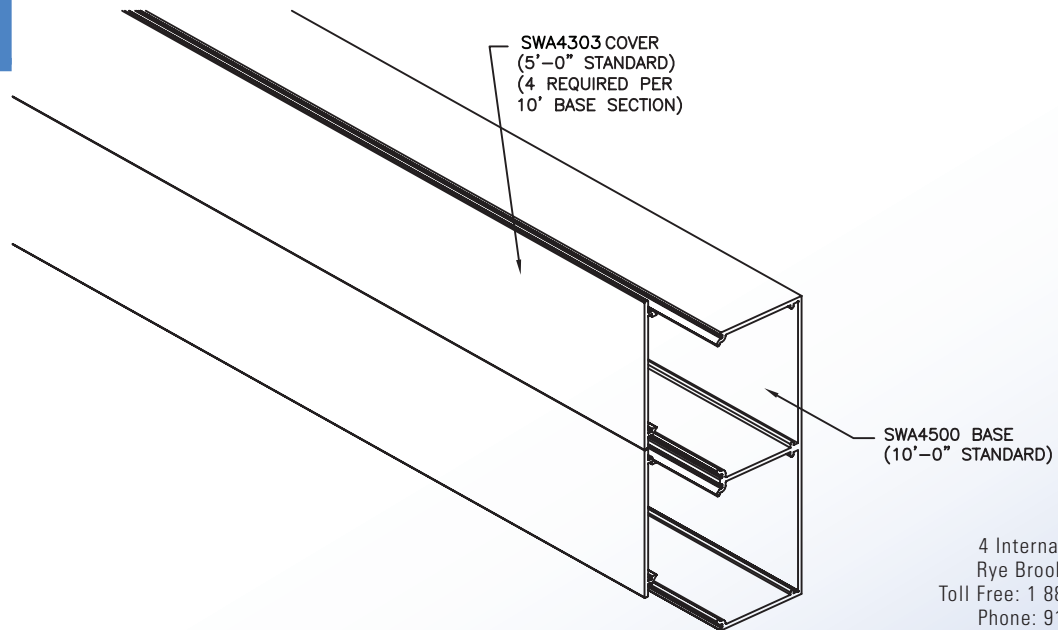
- 1.) Rigidly secure base section to structural Building Member or wall construction at 18" maximum mounting centers. Engineer to verify fasteners & mounting interval based on mounting surface construction (Hardware by others).

Material

#6063-T6 Extruded Aluminum. Nominal Wall thickness 0.070.



UL LISTED
FILE: E164140



4 International Drive
Rye Brook, NY 10573
Toll Free: 1 888.764.7681
Phone: 914.934.2075
Fax: 914.934.2190
MonoSystems.com

