

# Surface Raceway / Aluminum SWA4357

## Snap Way™ Accessories

Manufactured by MonoSystems, Inc.

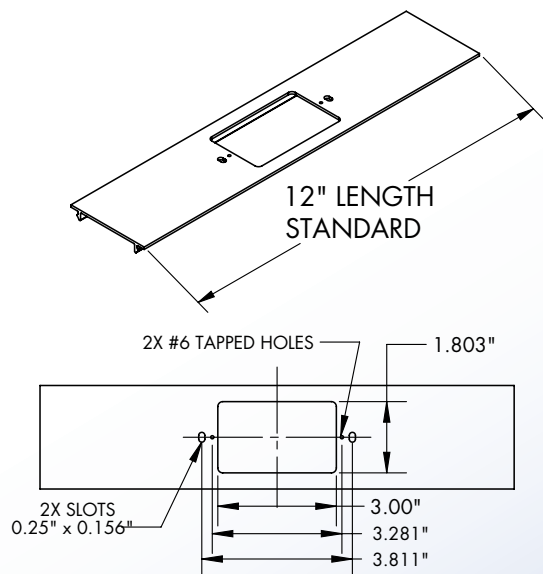
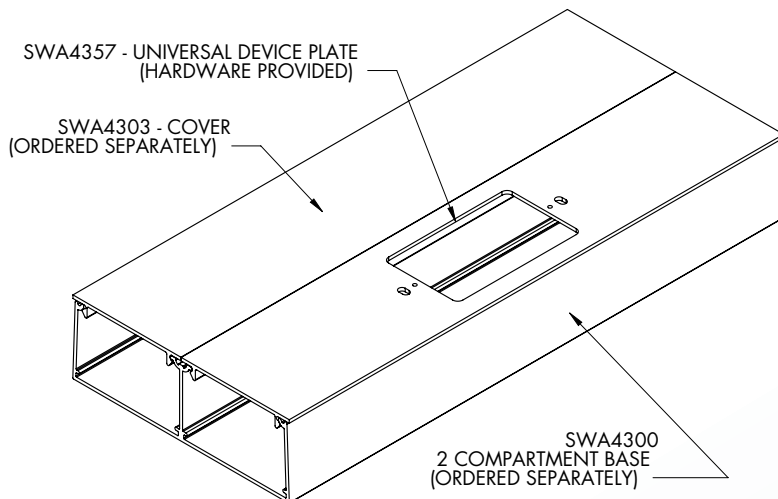
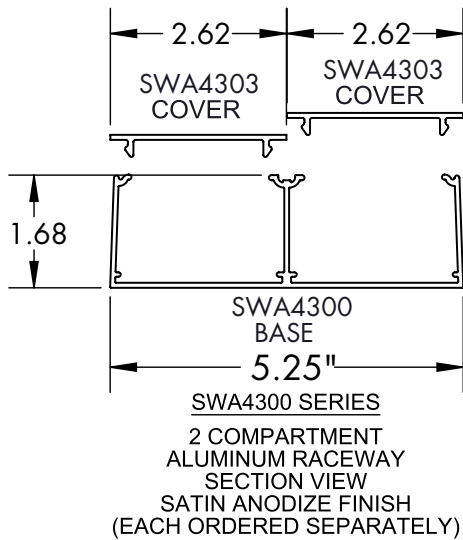
### UNIVERSAL COVER PLATE

#### General Information

- 1.) Assembly instructions: firmly press cover into place ensuring that both sides are completely snapped into base section.
- 2.) To remove cover: gently pry upward on base and cover seam with a non-abrasive tool such as a plastic putty knife.
- 3) Receptacle device (ordered separately) wire per NEC and local codes.
- 4.) Views for reference - do not scale.

#### Material

#6063-T6 extruded aluminum, satin anodized finish.



4 International Drive  
Rye Brook, NY 10573  
Toll Free: 1 888.764.7681  
Phone: 914.934.2075  
Fax: 914.934.2190  
MonoSystems.com

