

Surface Raceway / Aluminum SWA4317

Snap Way™ Fittings

Manufactured by MonoSystems, Inc.

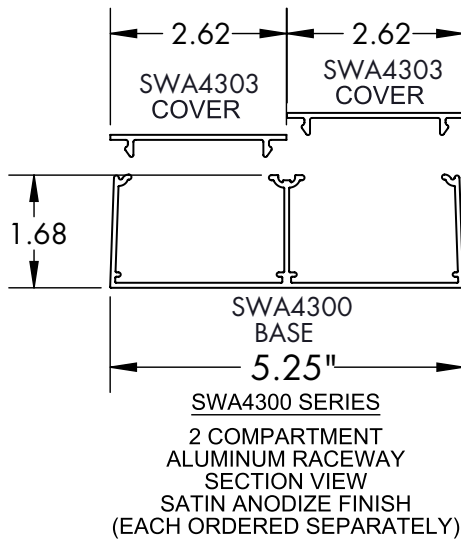
90° INVERTED ELBOW

General Information

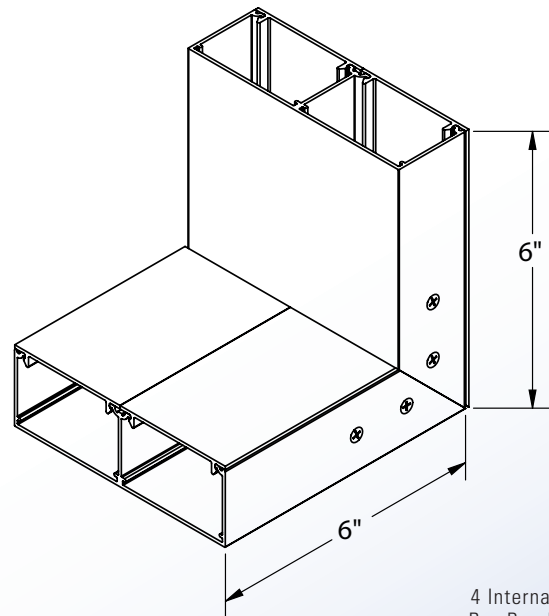
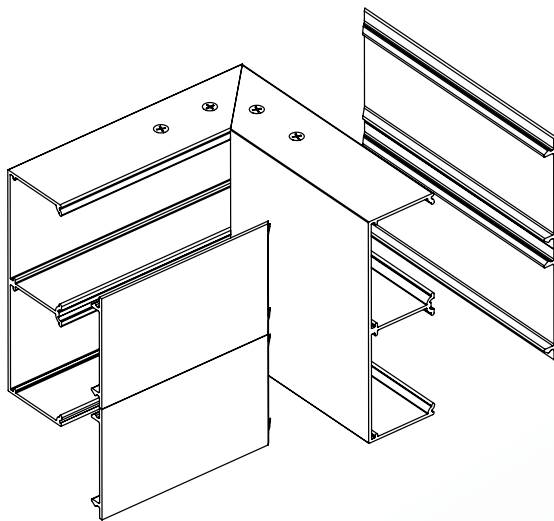
- 1.) Connect 90° inverted elbow to SWA4300 base sections using SWA4302 couplings (3 pair provided).
- 2.) Secure elbow to base by tightening #8-32 x 3/16" coupling screws.
- 3.) UL listed when used with grounding adapter clips (SWA43GC) adjacent to wire entry point.
- 4.) Views for reference - do not scale.

Material

Aluminum. Satin anodized finish.



UL LISTED
FILE: E167318



4 International Drive
Rye Brook, NY 10573
Toll Free: 1 888.764.7681
Phone: 914.934.2075
Fax: 914.934.2190
MonoSystems.com

