

Surface Raceway / Aluminum SWA4307

Snap Way™ Accessories

Manufactured by MonoSystems, Inc.

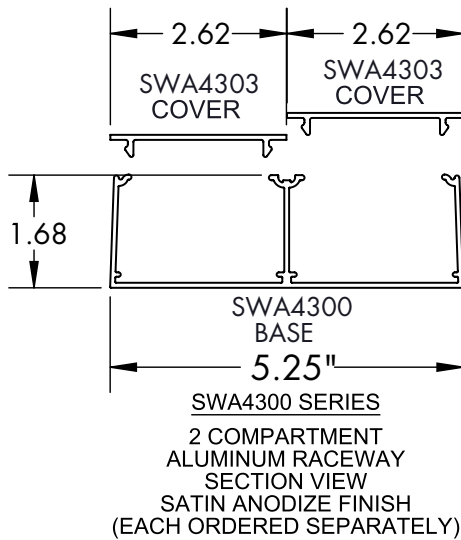
WIRE CLIP

General Information

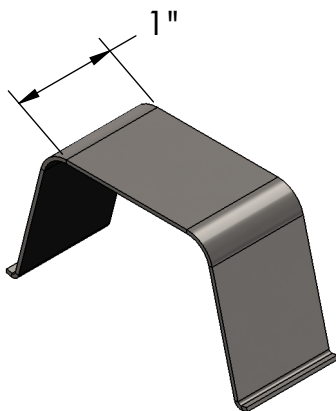
- 1.) Install clip around wire inside Raceway by inserting one edge into inner bottom lip (as shown) gently compress wire clip and install into adjacent bottom lip.
- 2.) UL listed when used with grounding adapter clips (SWA43GC) adjacent to wire entry point.
- 3.) Views for reference - do not scale.

Material

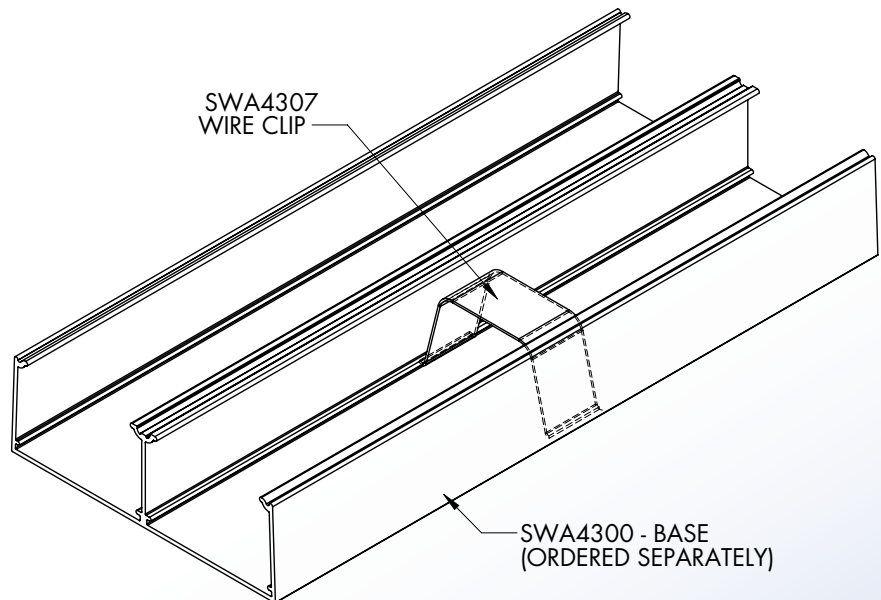
304 Stainless Steel.



UL LISTED
FILE: E167318



SWA4307
WIRE CLIP



SWA4300 - BASE
(ORDERED SEPARATELY)

4 International Drive
Rye Brook, NY 10573
Toll Free: 1 888.764.7681
Phone: 914.934.2075
Fax: 914.934.2190
MonoSystems.com

