

Surface Raceway / Aluminum SWA4304

Snap Way™ Accessories

Manufactured by MonoSystems, Inc.

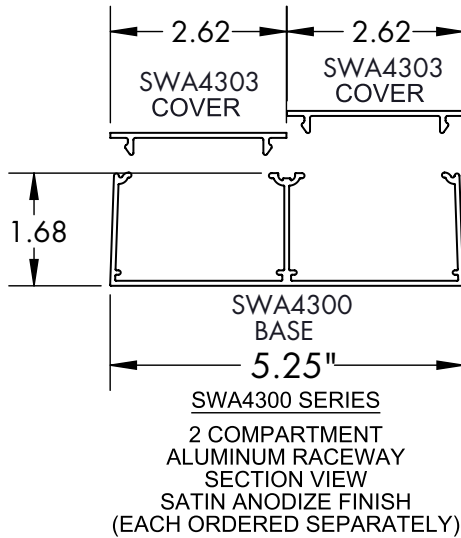
BLIND END

General Information

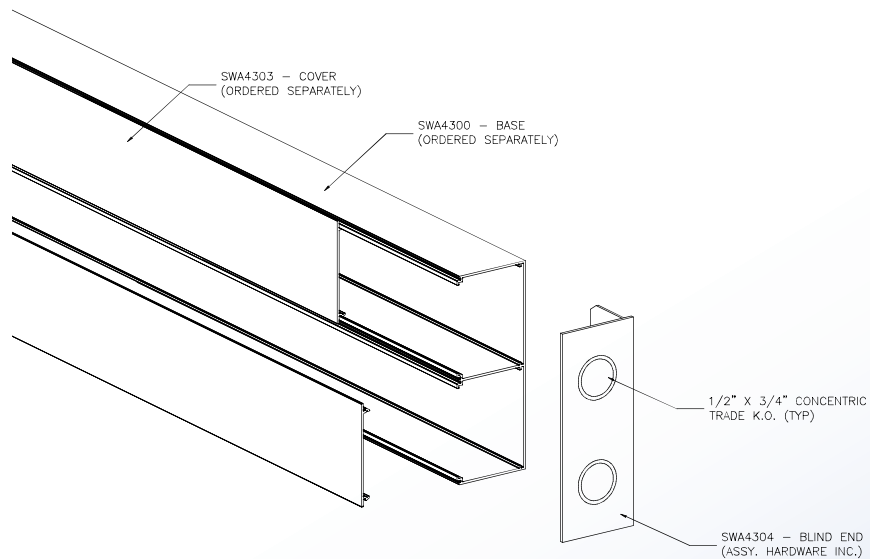
- 1.) Insert blind end fully into SWA4300 base section secure in place using provided #8-32 x 3/16" pan HD screws.
- 2.) UL listed when used with grounding adapter clip (SWA43GC) adjacent to wire entry point.

Material

.06" thick aluminum.



UL LISTED
FILE: E167318



4 International Drive
Rye Brook, NY 10573
Toll Free: 1 888.764.7681
Phone: 914.934.2075
Fax: 914.934.2190
MonoSystems.com

