

# Surface Raceway / Aluminum SWA4300 & SWA4303

Snap Way™

Manufactured by MonoSystems, Inc.

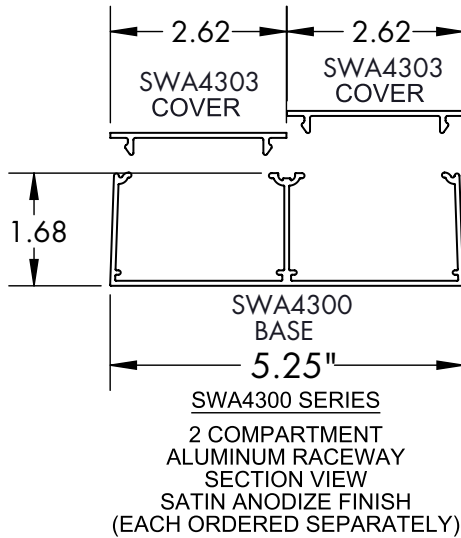
## TWO COMPARTMENT BASE AND COVER

### General Information

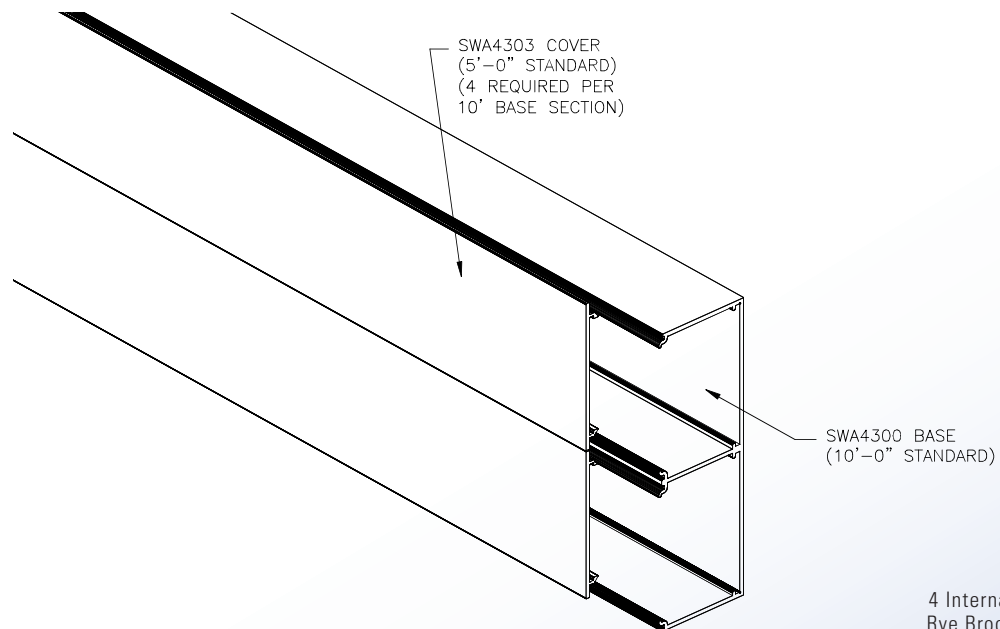
- 1.) Rigidly secure base section to structural building member or wall construction at 18" maximum mounting centers. Engineer to verify fasteners & mounting interval based on mounting surface construction. (hardware by others)

### Material

Material: #6063-T6 extruded aluminum, satin anodized finish.



UL LISTED  
FILE: E164140



4 International Drive  
Rye Brook, NY 10573  
Toll Free: 1 888.764.7681  
Phone: 914.934.2075  
Fax: 914.934.2190  
MonoSystems.com

