

# Surface Raceway / Aluminum SWA33GC

## Snap Way™ Accessories

Manufactured by MonoSystems, Inc.

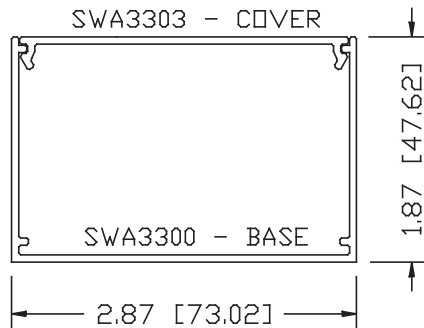
### GROUNDING CLIP

#### Notes

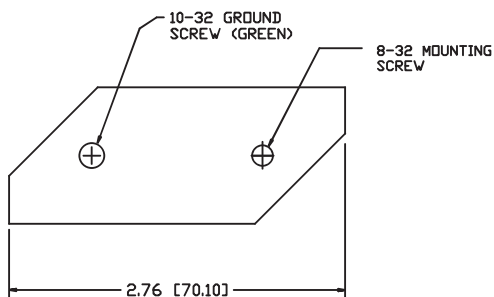
- 1.) Place ground clip against back of raceway. Rotate to lock in place.
- 2.) Attach using supplied 8-32 mounting screw.
- 3.) Attach ground wire to supplied 10-32 green grounding screw.

#### Material

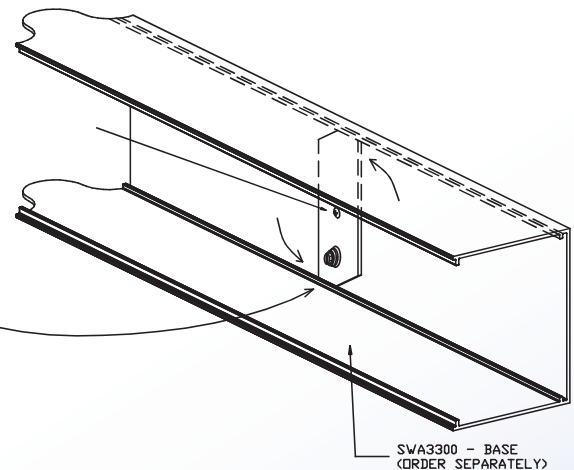
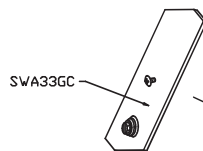
Aluminum. Satin anodized finish.



UL LISTED  
FILE: E167318



SWA33GC



4 International Drive  
Rye Brook, NY 10573  
Toll Free: 1 888.764.7681  
Phone: 914.934.2075  
Fax: 914.934.2190  
MonoSystems.com

