

# Surface Raceway / Aluminum SWA3345

Snap Way™ Accessories  
Manufactured by MonoSystems, Inc.

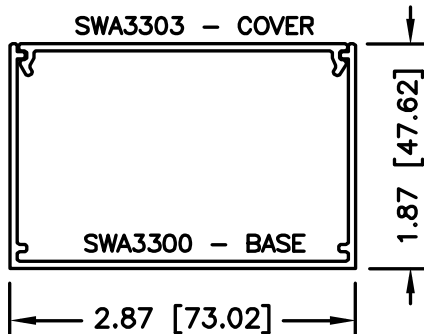
## SINGLE RECEPTACLE PLATE

### Assembly Instructions

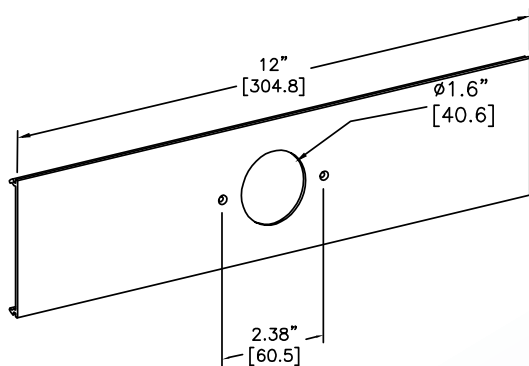
- 1.) Terminate device wiring and ground per NEC and local codes. (by others)
- 2.) Secure device to plate. (device & hardware by others)
- 3.) Snap cover into place.

### Material

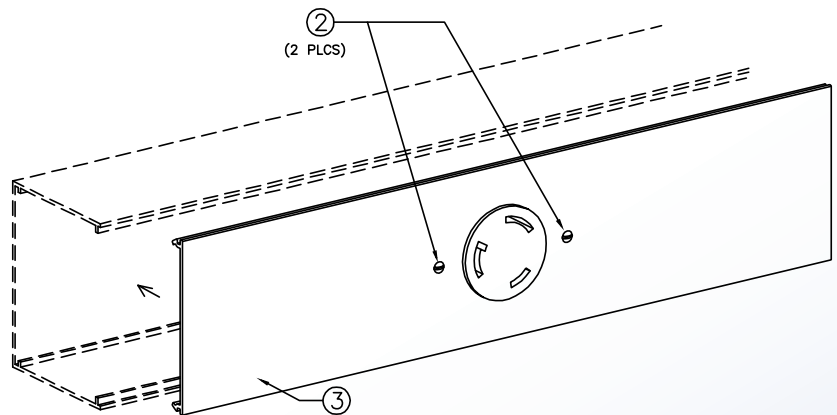
#6063-T6 extruded aluminum, satin anodized finish.



UL LISTED  
FILE: E167318



SWA3345



4 International Drive  
Rye Brook, NY 10573  
Toll Free: 1 888.764.7681  
Phone: 914.934.2075  
Fax: 914.934.2190  
MonoSystems.com

