

# Surface Raceway / Aluminum SWA3330

## Snap Way™ Fittings

Manufactured by MonoSystems, Inc.

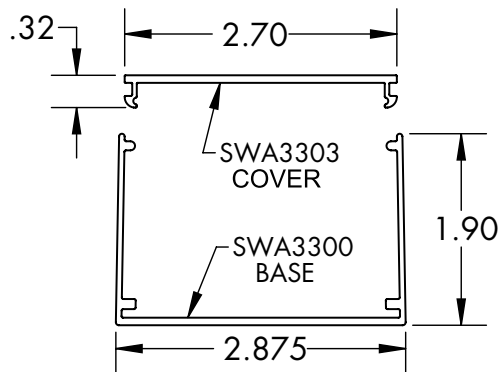
### WALL BOX, REAR FEED

#### Assembly Instructions

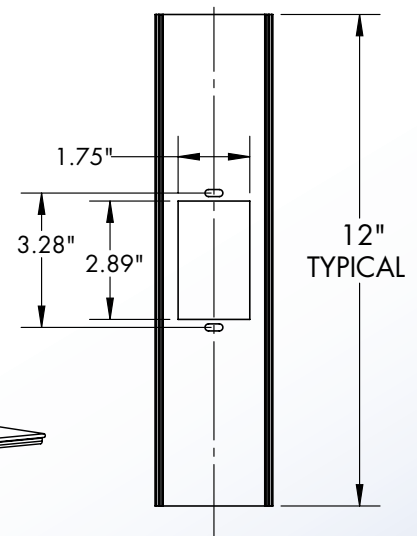
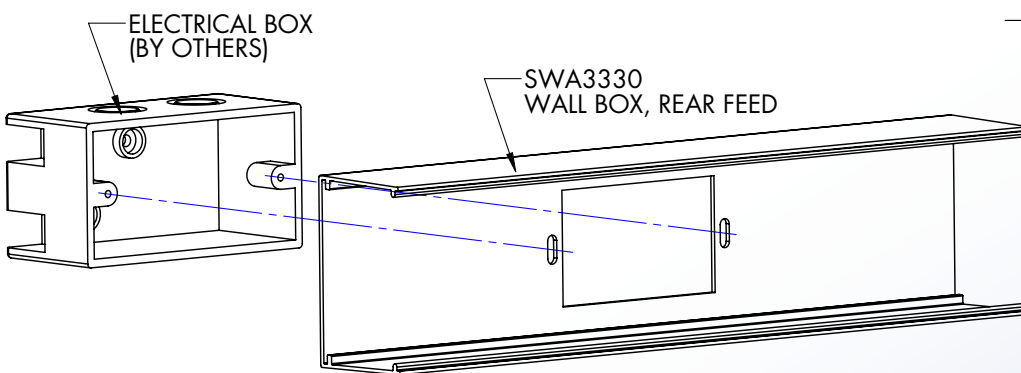
- 1.) Connect SWA3330 to SWA3300 base sections using SWA3302 couplings (couplings ordered separately), 2 required.
- 2.) Secure wall box to base sections by tightening #8-32x3/16" screws.
- 3.) Material: #6063-T6 extruded aluminum, satin anodized finish. Nominal wall thickness: 0.060".
- 4.) UL listed when used with grounding adapter clips (SWA33GC) adjacent to wire entry points.
- 5.) Views for reference - do not scale.

#### Material

#6063-T6 extruded aluminum, satin anodized finish.



UL LISTED  
FILE: E167318



4 International Drive  
Rye Brook, NY 10573  
Toll Free: 1 888.764.7681  
Phone: 914.934.2075  
Fax: 914.934.2190  
MonoSystems.com

