

Surface Raceway / Aluminum SWA3323A

Snap Way™ Accessories

Manufactured by MonoSystems, Inc.

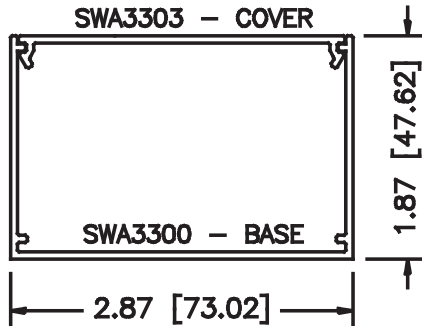
OFFSET RECTANGULAR PLATE

Assembly Instructions

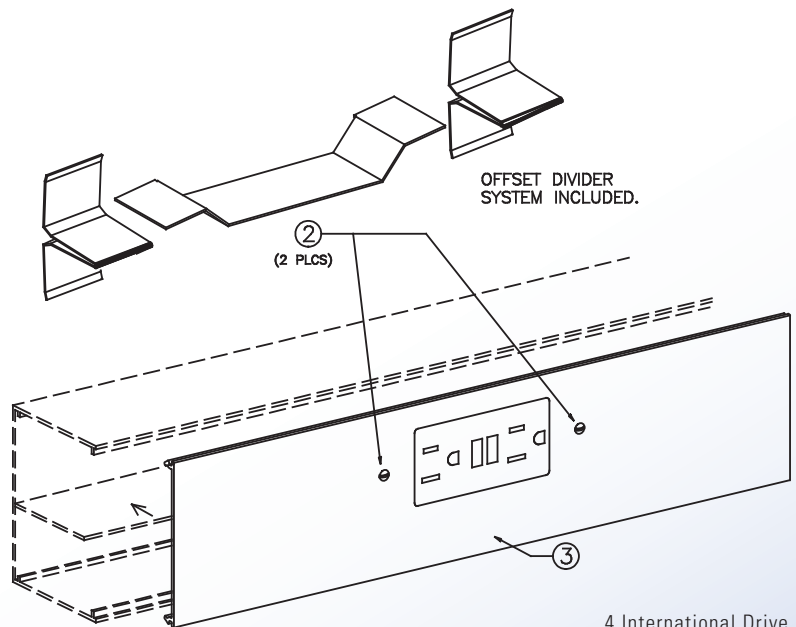
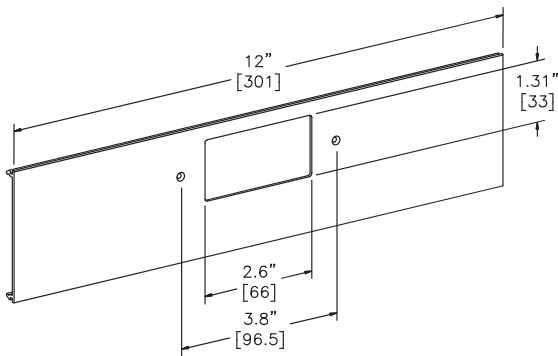
- 1.) Terminate device wiring and ground per NEC and local codes. (by others)
- 2.) Secure device to plate. (device & hardware by others)
- 3.) Snap cover into place.

Material

#6063-T6 extruded aluminum, satin anodized finish.



UL LISTED
FILE: E167318



4 International Drive
Rye Brook, NY 10573
Toll Free: 1 888.764.7681
Phone: 914.934.2075
Fax: 914.934.2190
MonoSystems.com

