

# Surface Raceway / Aluminum SWA3313

## Snap Way™ Fittings

Manufactured by MonoSystems, Inc.

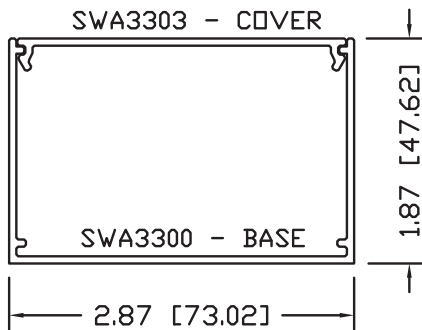
### 45° EXTERNAL ELBOW

#### Assembly Instructions

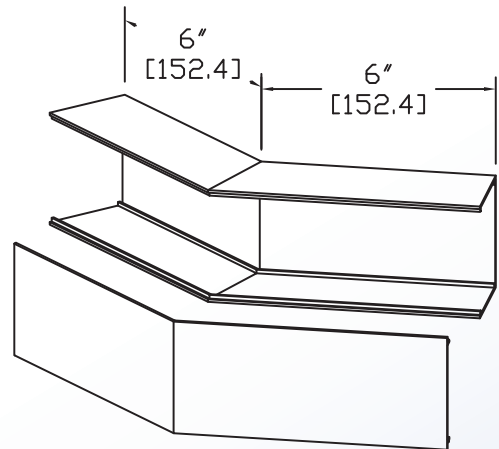
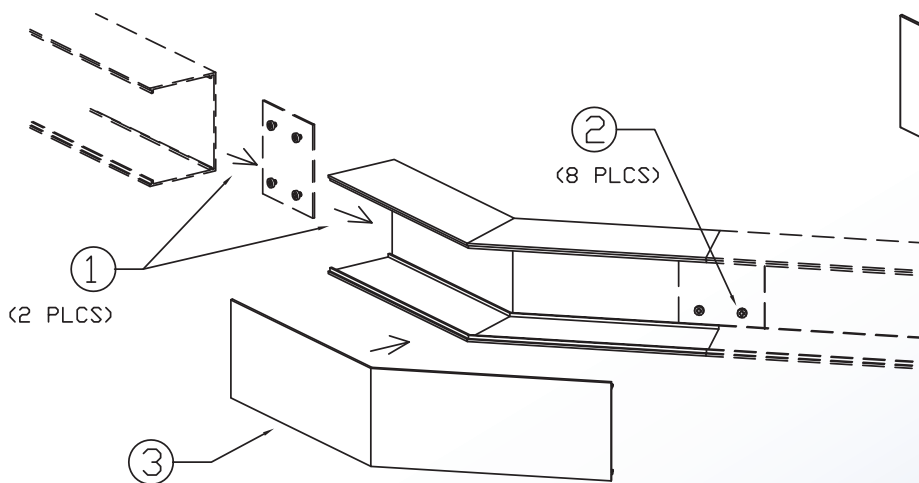
- 1.) Connect SWA3313 to SWA3300 base sections using SWA3302 couplings. (two places) (SWA3302 ordered separately)
- 2.) Secure elbow to base sections by tightening 8-32 x 3/16" screws. (8 places typ.)
- 3.) Snap cover into place.

#### Material

#6063-T6 extruded aluminum, satin anodized finish.



UL LISTED  
FILE: E167318



SWA3313

4 International Drive  
Rye Brook, NY 10573  
Toll Free: 1 888.764.7681  
Phone: 914.934.2075  
Fax: 914.934.2190  
MonoSystems.com

