

Surface Raceway / Aluminum SWA3310

Snap Way™ Fittings

Manufactured by MonoSystems, Inc.

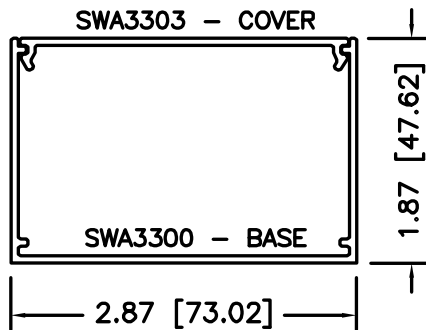
TEE

Assembly Instructions

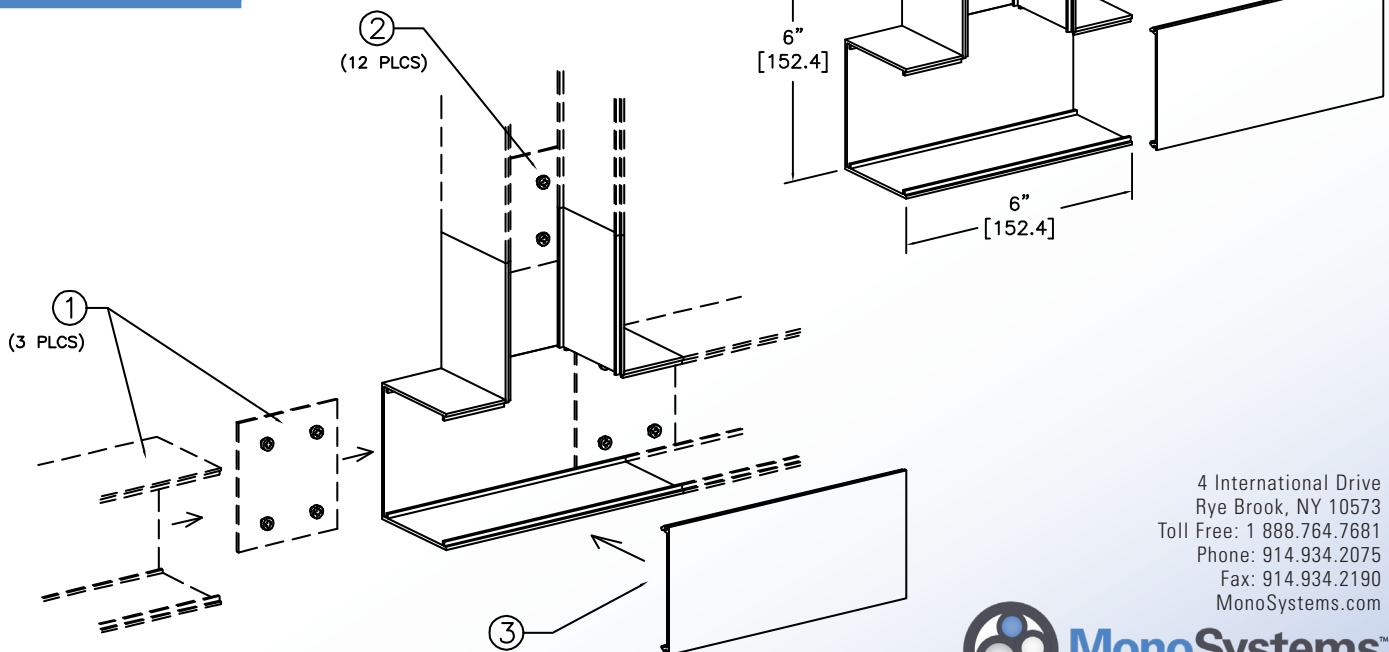
- 1.) Connect tee to SWA3300 base sections using SWA3302 couplings. (three places) (SWA3302 ordered separately)
- 2.) Secure tee to base sections by tightening 8-32 x 3/16 screws. (12 places typ.)
- 3.) Snap cover into place.

Material

#6063-T6 extruded aluminum, satin anodized finish.



UL LISTED
FILE: E167318



4 International Drive
Rye Brook, NY 10573
Toll Free: 1 888.764.7681
Phone: 914.934.2075
Fax: 914.934.2190
MonoSystems.com

