

Surface Raceway / Aluminum SWA3304

Snap Way™ Accessories

Manufactured by MonoSystems, Inc.

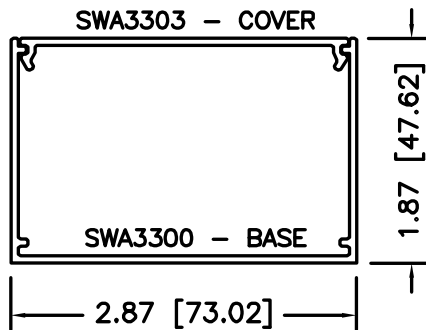
BLANK END

Assembly Instructions

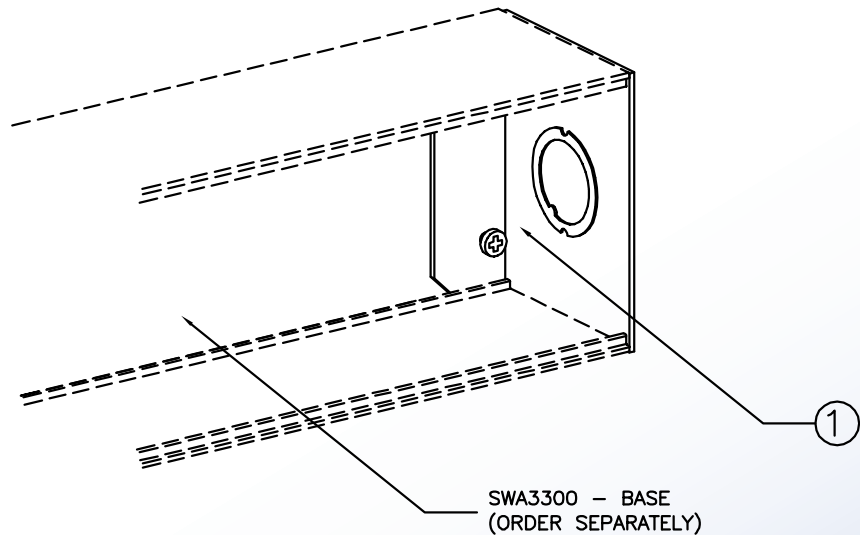
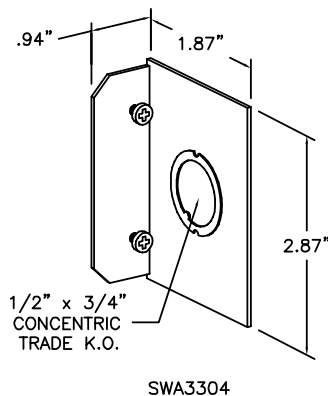
- 1.) Insert blank end fully into SMS3200 base section.
Secure using provided 8-32 x 3/16" screws.

Material

.060" Aluminum. Satin anodized finish.



UL LISTED
FILE: E167318



4 International Drive
Rye Brook, NY 10573
Toll Free: 1 888.764.7681
Phone: 914.934.2075
Fax: 914.934.2190
MonoSystems.com

