

Surface Raceway / Aluminum SWA3303

Snap Way™ Accessories

Manufactured by MonoSystems, Inc.

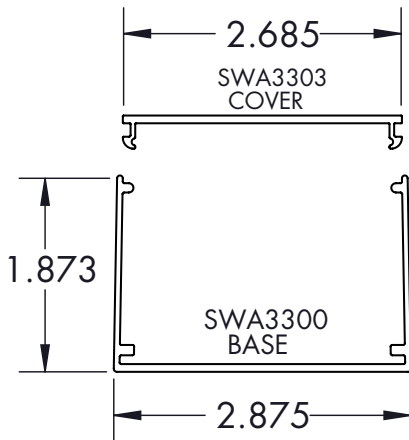
COVER PLATE OPTIONS

General Information

- 1.) Assembly instructions: firmly press cover into place ensuring that both sides are completely snapped into base section.
- 2.) All covers come 12" standard unless specified otherwise.
- 3.) Material: #6063-T6 extruded aluminum, satin anodized finish.
- 4.) To remove cover: gently pry upward on base and cover seam with a non-abrasive tool such as a plastic putty knife.
- 5.) Views for reference - do not scale.

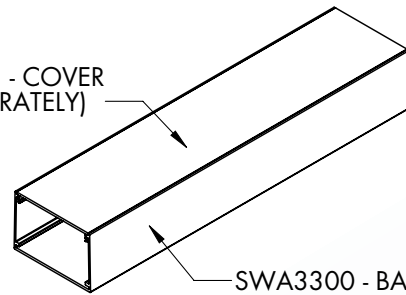
Material

Aluminum. Satin anodized finish.

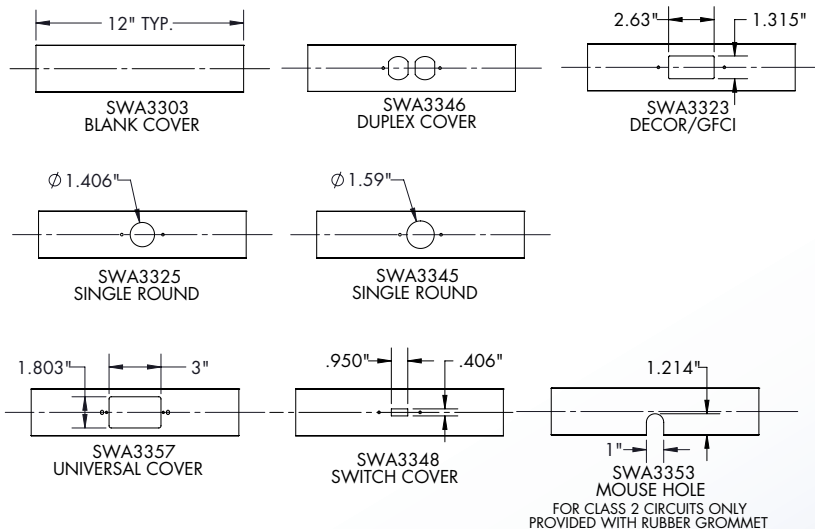


UL LISTED
FILE: E167318

SWA3303 - COVER
(ORDERED SEPARATELY)



SWA3300 - BASE
(ORDERED SEPARATELY)



4 International Drive
Rye Brook, NY 10573
Toll Free: 1 888.764.7681
Phone: 914.934.2075
Fax: 914.934.2190
MonoSystems.com

