

Surface Raceway / Aluminum SWA3302

Snap Way™ Accessories

Manufactured by MonoSystems, Inc.

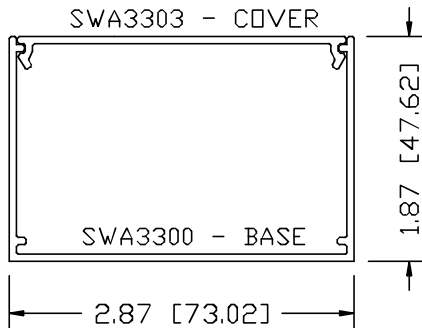
SPLICE CONNECTOR

Notes

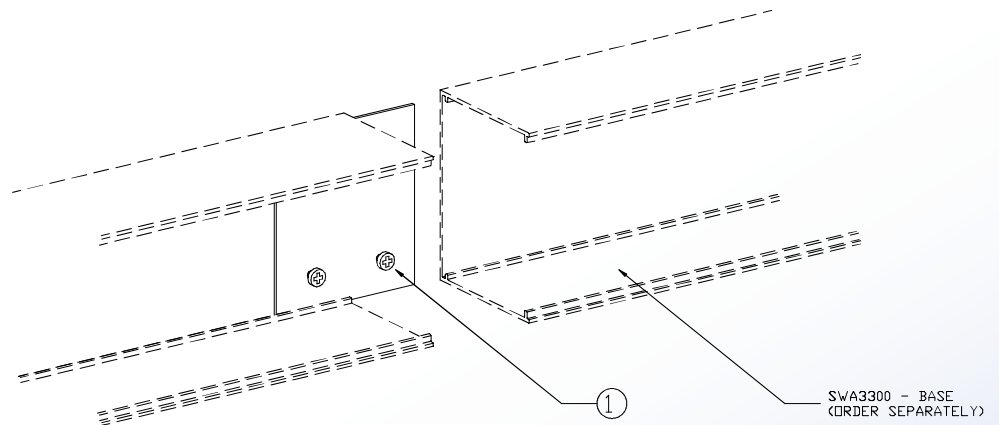
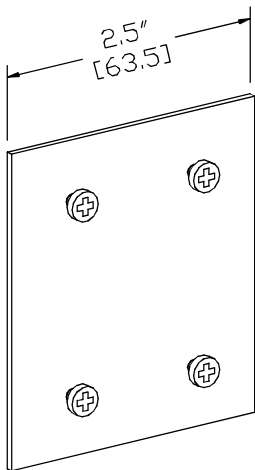
- 1.) Insert coupling into ends of base sections to be joined. secure in place using four provided 8-32 x 3/16" screws.

Material

0.060" Aluminum.



UL LISTED
FILE: E167318



4 International Drive
Rye Brook, NY 10573
Toll Free: 1 888.764.7681
Phone: 914.934.2075
Fax: 914.934.2190
MonoSystems.com

