

Surface Raceway / Aluminum SWA3301 & SWA3307

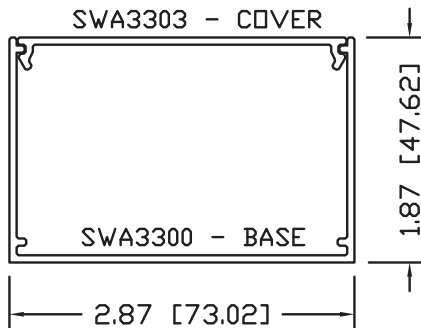
Snap Way™ Accessories

Manufactured by MonoSystems, Inc.

DIVIDER & CLIP

Material

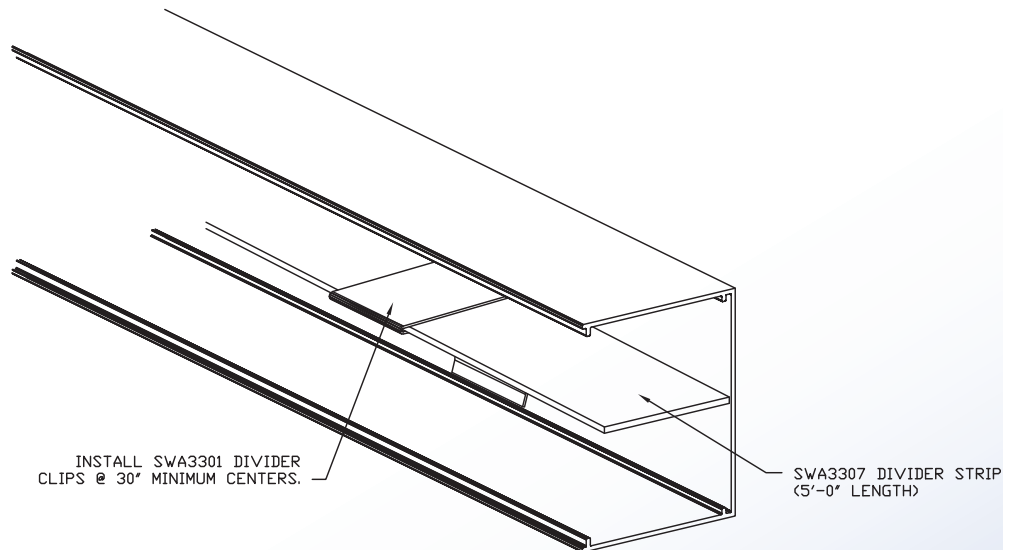
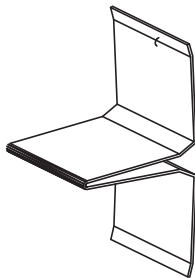
Aluminum. Satin anodized finish.



SWA3300 SERIES
ALUMINUM RACEWAY - SECTION
SATIN ANNOIDIZED FINISH
(EACH ORDERED SEPARATELY)



UL LISTED
FILE: E167318



4 International Drive
Rye Brook, NY 10573
Toll Free: 1 888.764.7681
Phone: 914.934.2075
Fax: 914.934.2190
MonoSystems.com

