

Surface Raceway / Aluminum SWA3300

Snap Way™

Manufactured by MonoSystems, Inc.

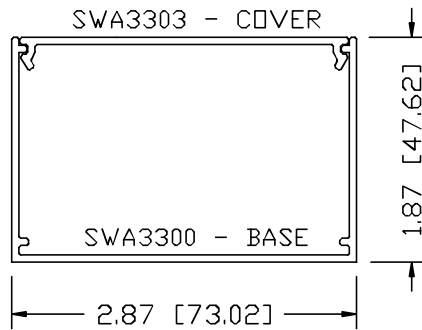
BASE SECTION

Notes

- 1.) Rigidly secure base section to structural building member or wall construction at 18" maximum mounting centers. Engineer to verify fasteners & mounting interval based on mounting surface construction. (Hardware by others)

Material

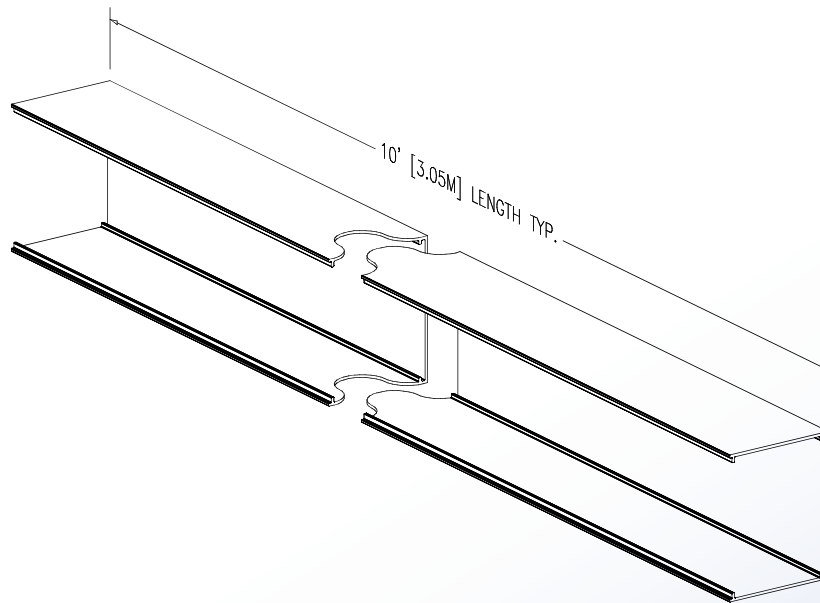
Aluminum. Satin anodized finish.



SWA3300 SERIES
ALUMINUM RACEWAY - SECTION
SATIN ANNOIDIZED FINISH
(EACH ORDERED SEPARATELY)



UL LISTED
FILE: E164140



4 International Drive
Rye Brook, NY 10573
Toll Free: 1 888.764.7681
Phone: 914.934.2075
Fax: 914.934.2190
MonoSystems.com

