

Surface Raceway / Aluminum SWA3253

SnapWay™ Accessories

Manufactured by MonoSystems, Inc.

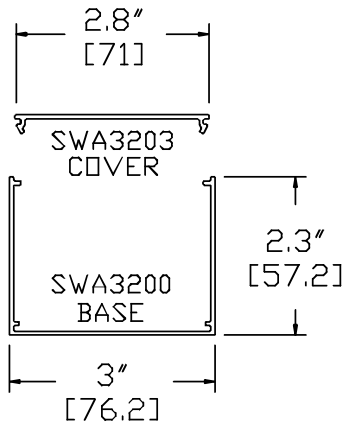
MOUSE HOLE COVER PLATE

Assembly Instructions

- 1.) Use for low voltage cable exit.
- 2.) Use provided grommet to protect cable.
- 3.) Snap cover into place.

Material

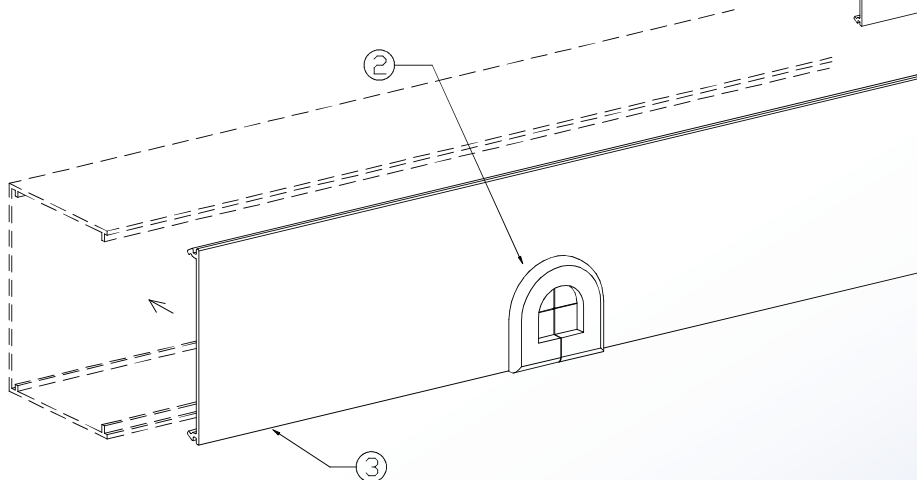
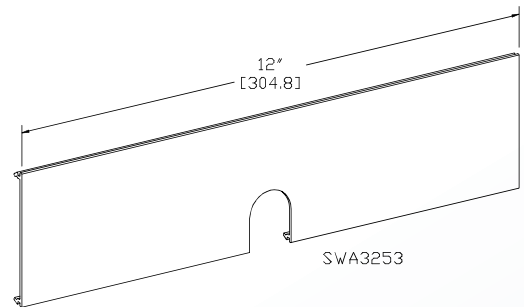
#6063-T6 Extruded Aluminum. Nominal Wall Thickness 0.060".
Satin Anodized Finish.



SWA3200 SERIES
ALUMINUM RACEWAY - SECTION
(EACH ORDERED SEPARATELY)



UL LISTED
FILE: E167318



4 International Drive
Rye Brook, NY 10573
Toll Free: 1 888.764.7681
Phone: 914.934.2075
Fax: 914.934.2190
MonoSystems.com

